



SAFETY FIRST !!!!!

Safety Warning

(DISCOVERY ALL IN ONE™ TWIN)

All of Discovery's Bunkbeds were designed and manufactured with your child's safety as our top priority. Their unparalleled strength is bi-product of the safety design. Our bunks meet all compliance with ASTM F 1427-01 "Standards Consumer Safety Specification for tandards for Bunk Beds" and code of Federal Regulations (CFR) 1213 "Safety Standards for Entrapment Hazards in Bunk Beds" and (CFR) 1513 "Requirements for Bunk Beds".

Safety is a cooperative effort between us as the manufacturer, and you as a guardian. Please read and consider the warnings listed below when choosing a mattress and discussing rules of use with your child.

SAFETY WARNINGS

1. Follow the information on the warnings appearing on the upper bunk end structure and on the carton. Do not remove warning label from bed.
2. Always use the recommended size mattress or mattress support, or both, to help prevent the likelihood of entrapment or falls.
3. Surface of mattress must be at least 5 inches (127 MM) below the upper edge of guardrails.
4. Do not allow children less than 6 years of age to use the upper bunk.
5. Prohibit more than one person on the upper bunk.
6. Periodically, check and ensure that the guardrail, ladder, and other components are in their proper position, free from damage, and that all connectors are tight.
7. Do not allow horseplay on or under the bed and prohibit jumping on the bed.
8. Always use the ladder for entering and leaving the upper bunk.
9. Do not use substitute parts. Contact manufacturer or dealer for replacement parts.
10. Use of nightlight may provide added safety precautions for a child using the upper bunk.
11. Always use guardrails on both sides of the upper bunk.
12. The use of water or sleep flotation mattress is prohibited.
13. If bunk bed is to be placed next to a wall, the guardrail that runs the full length of the bed should be placed against the wall to prevent entrapment between the bed and the wall.
14. Keep these instructions for future reference.
15. Strangulation Hazard - Never attach or hang items to any part of the bunk bed that are not designed for use with the bed; for example, but not limited to, hooks, belts, and jump ropes.

***** Replacement parts, including additional guardrails, may be obtained from any of our (Discovery World Furniture) dealers

SIZE OF MATTRESS AND FOUNDATION

Use only mattress, foundation and deck combined which is 74-75 inches long and 37 ½ - 38 ½ inches wide on upper bunk.

Ensure thickness of mattress, does not exceed 8 3/8" inches and mattress and is at least 5 inches below upper edge of guardrails.

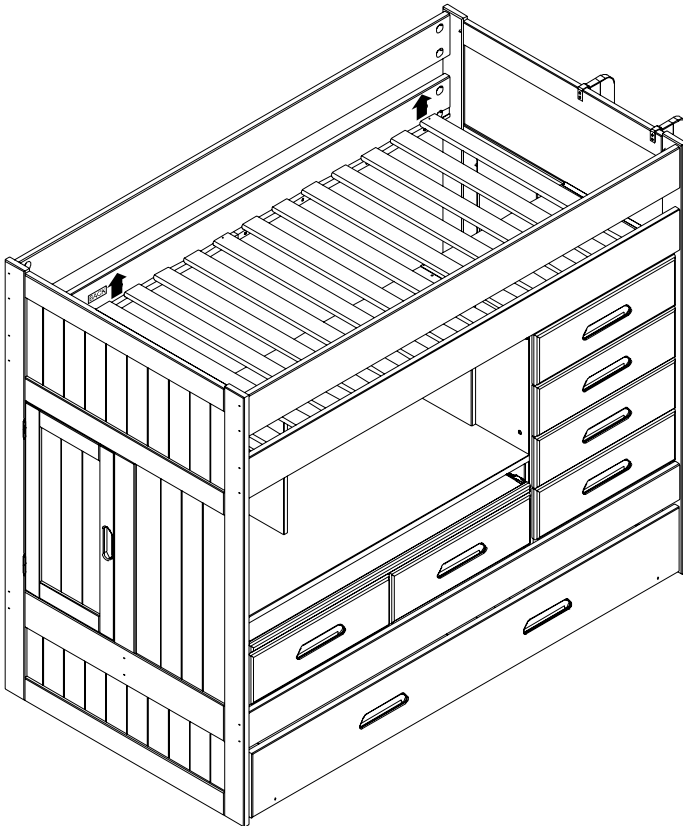
Replacement Parts & Limited Lifetime Warranty

Discovery World Furniture will replace any component part free of charge for 1 full year via UPS freight collect. In addition, Discovery World Furniture will replace any component part for 50% of the then prevailing retail price plus freight for the lifetime of the product. For service, mail your request to: Discovery World Furniture
915 Cornwall Rd, Sanford, FL 32773

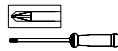
DiscoveryTM
World Furniture

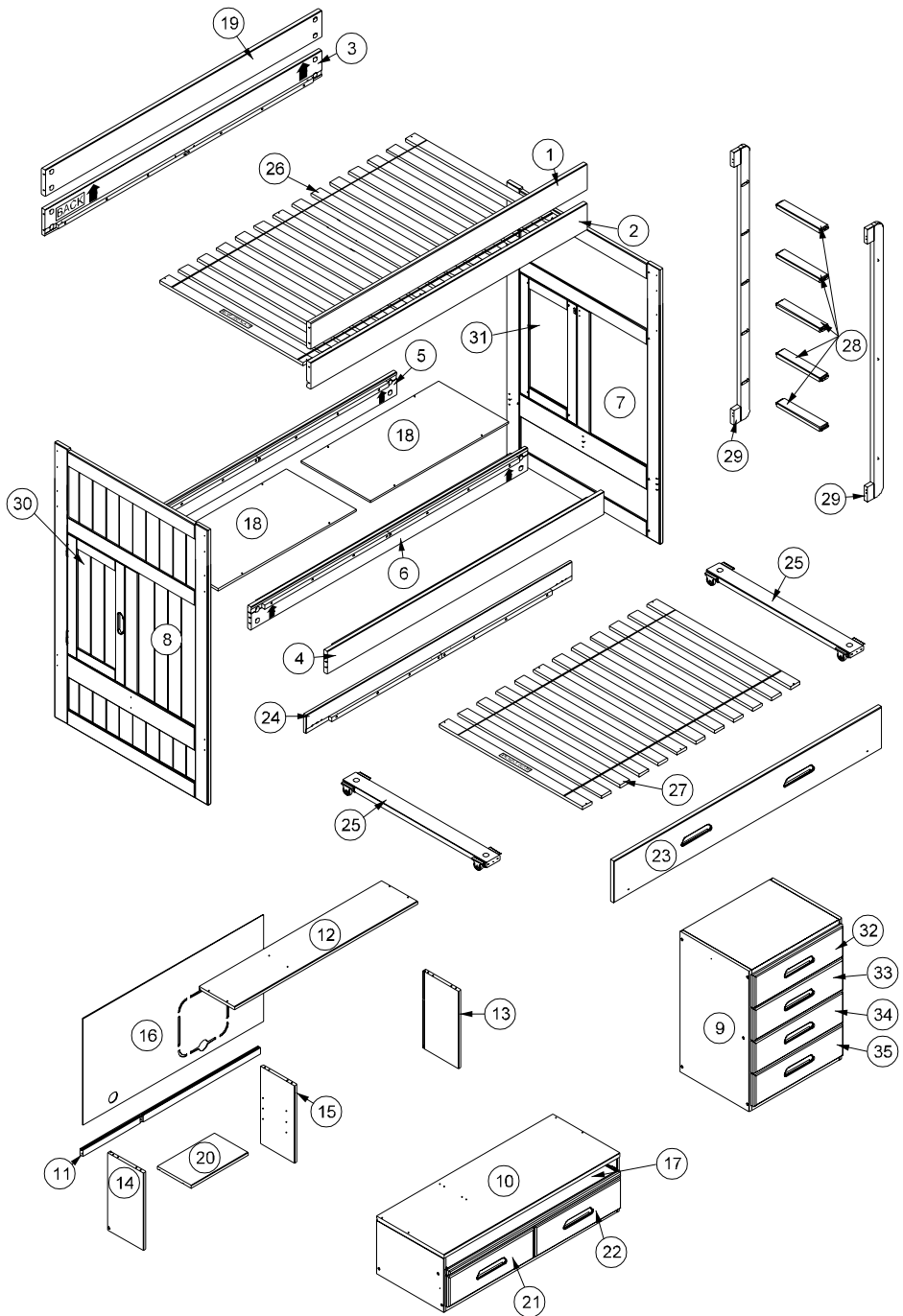


Discovery All In OneTM Twin



01:00 h

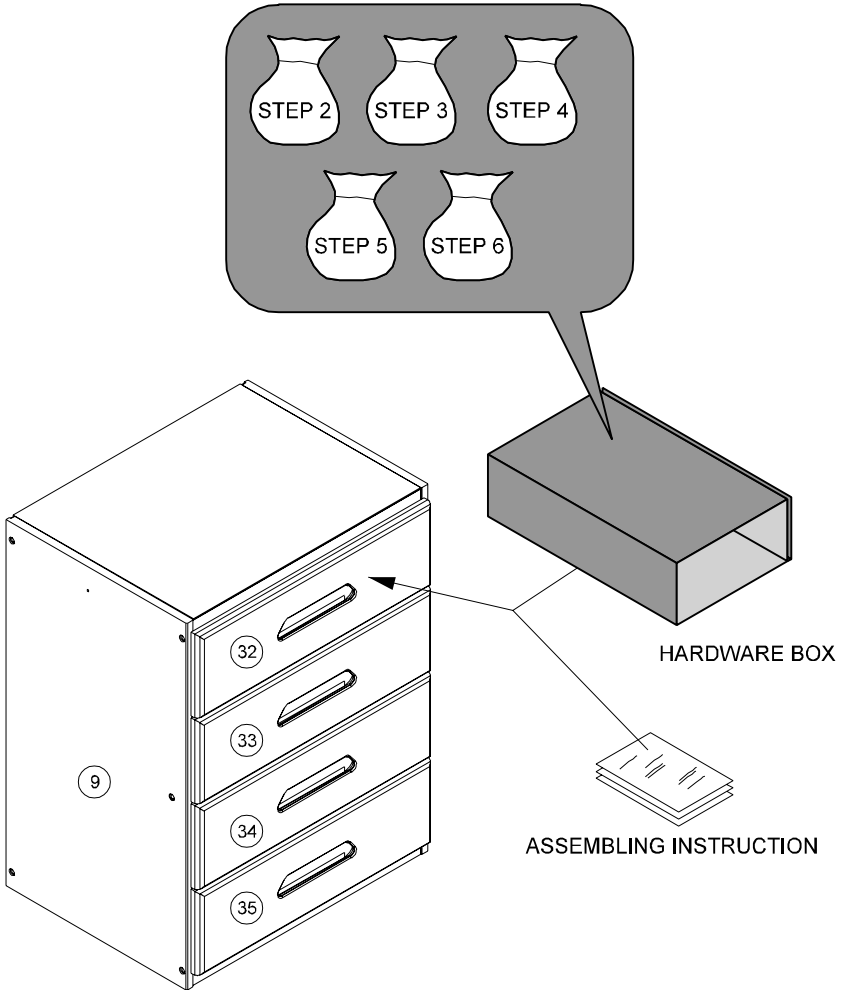




STEP 1

CARTON #1 OF 6

IMPORTANT: DO NOT OPEN ALL OF THE PLASTIC HARDWARE PACKAGES AT ONCE, FOLLOW THE INSTRUCTIONS AND OPEN ONLY THE PACKAGE LABELED FOR EACH STEP


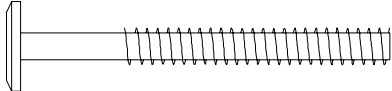
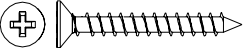



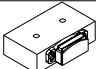


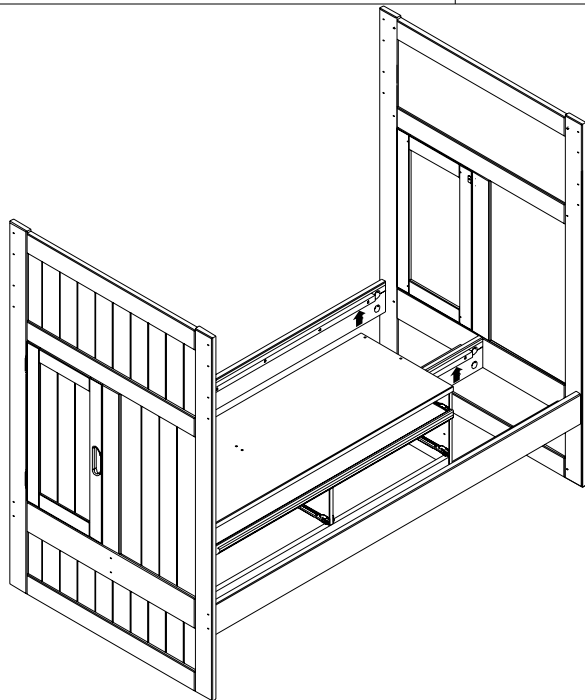
STEP 2

CARTON #1, #2, #3 AND #4 OF 6

ASSEMBLE THE LOWER BUNK AND POSITIONING THE DESK UNIT

HARDWARE LIST

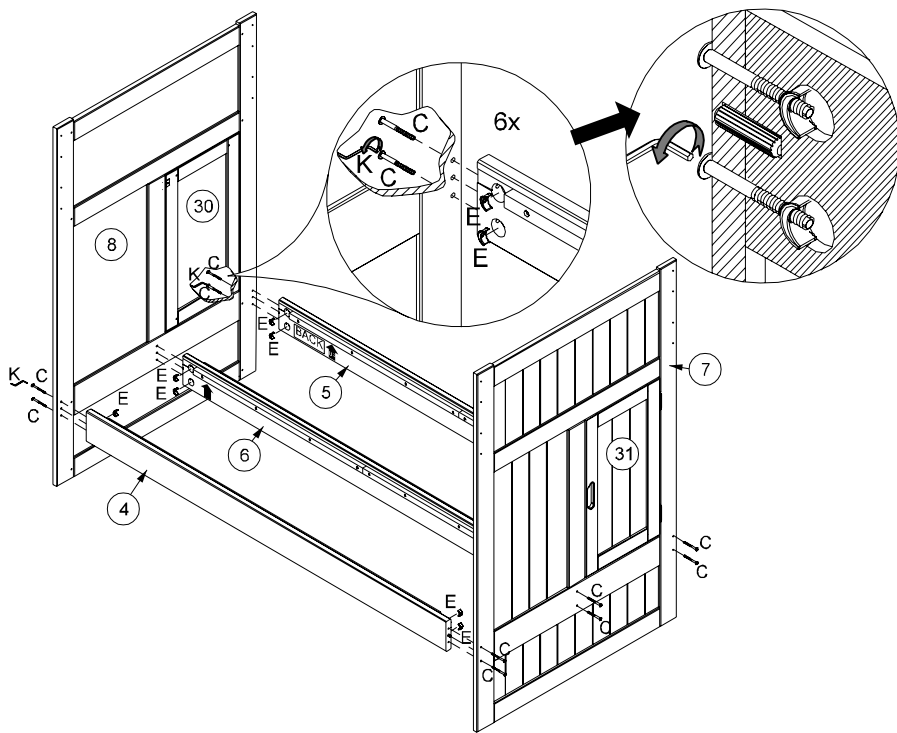
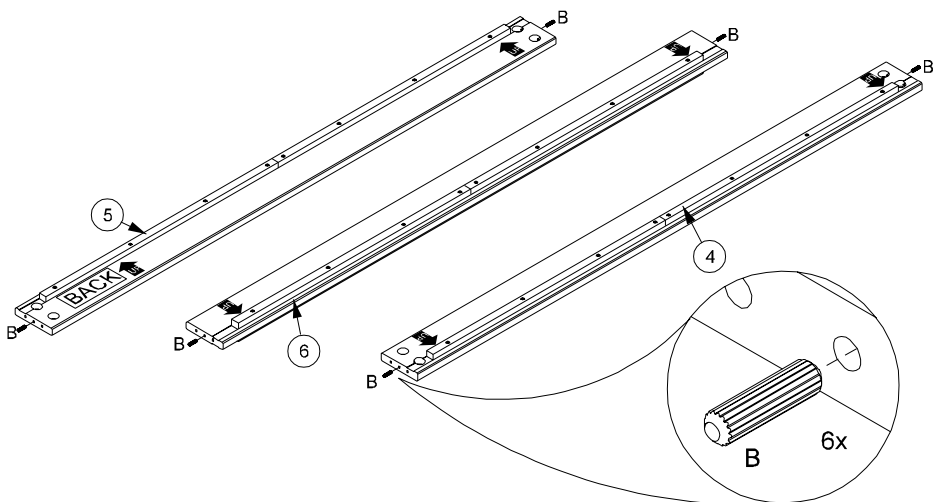
ITEM		MEASUREMENT	Q'TY
B		1 3/16"	06
C		2 3/4"	12
F		1 3/8"	04
E			12
K		ALLEN WRENCH	01
T		ALLEN BIT	01
S			02



STEP 2

CARTON #1, #2, #3 AND #4 OF 6

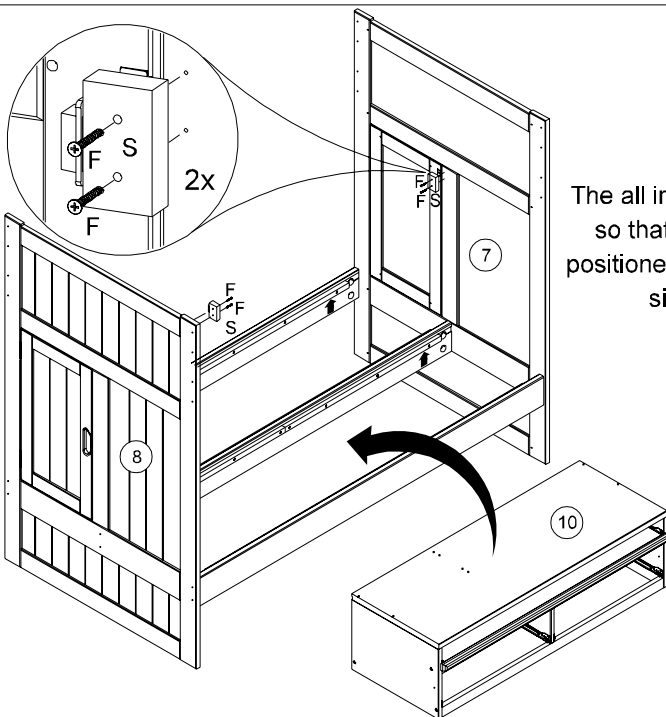
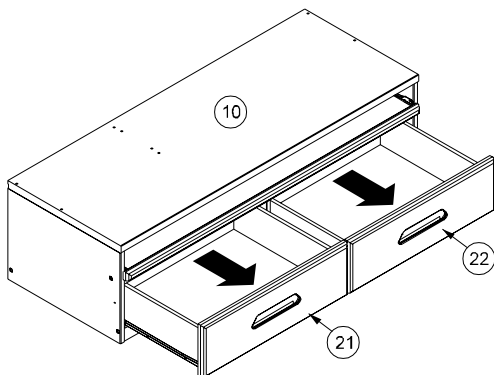
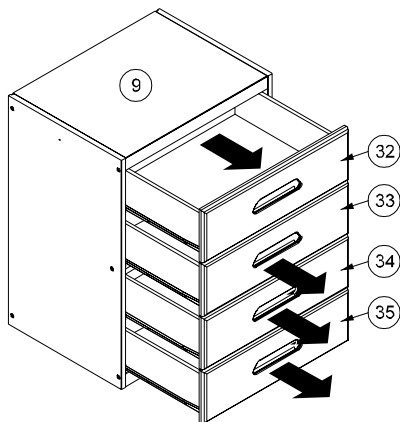
ASSEMBLE THE LOWER BUNK AND POSITIONING THE DESK UNIT



STEP 2

CARTON #1, #2, #3 AND #4 OF 6

ASSEMBLE THE LOWER BUNK AND POSITIONING THE DESK UNIT



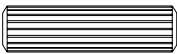
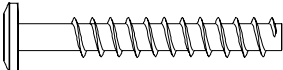
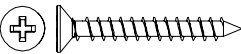
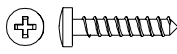
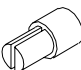


NOTE:
The all in one is engineered so that the desk can be positioned on the left or right side of the loft

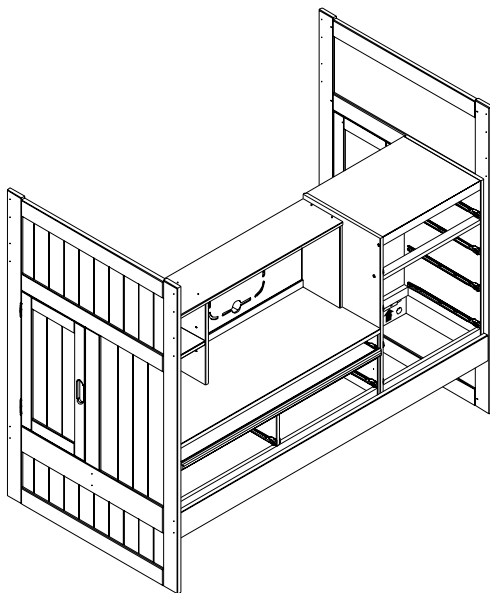
STEP 3

CARTON #1, #2, #4 AND #5 OF 6

ASSEMBLE AND MOUNT THE HUTCH AND POSITION THE CHEST UNIT

HARDWARE LIST

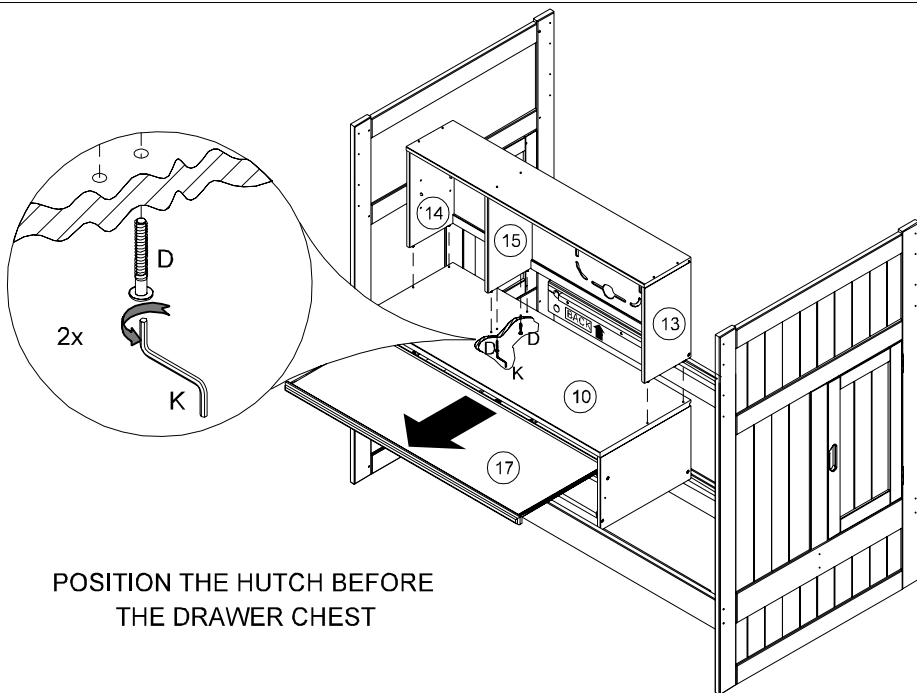
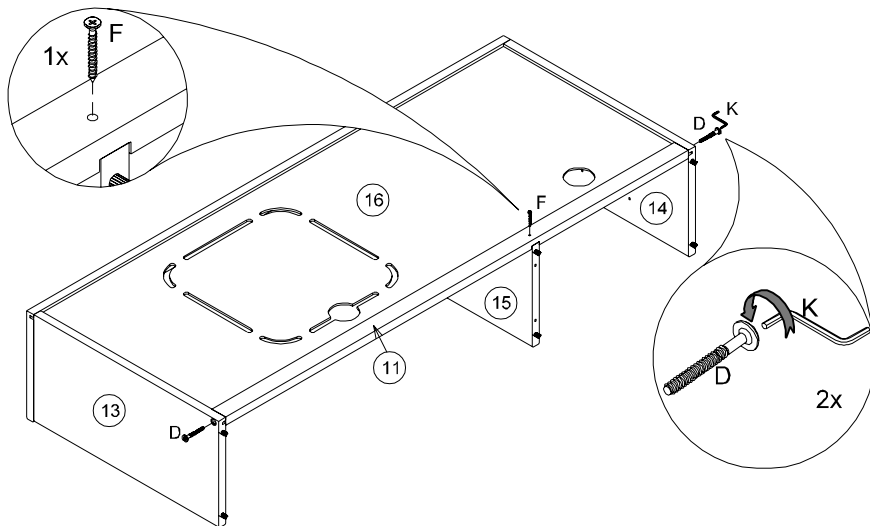
ITEM		MEASUREMENT	Q'TY
B		1 3/16"	12
D		1 15/16"	10
F		1 3/8"	04
G		13/16"	08
J			04
K		ALLEN WRENCH Enclosed in hardware package #02	01
T		ALLEN BIT Enclosed in hardware package #02	01



STEP 3

CARTON #1, #2, #4 AND #5 OF 6

ASSEMBLE AND MOUNT THE HUTCH AND POSITION THE CHEST UNIT

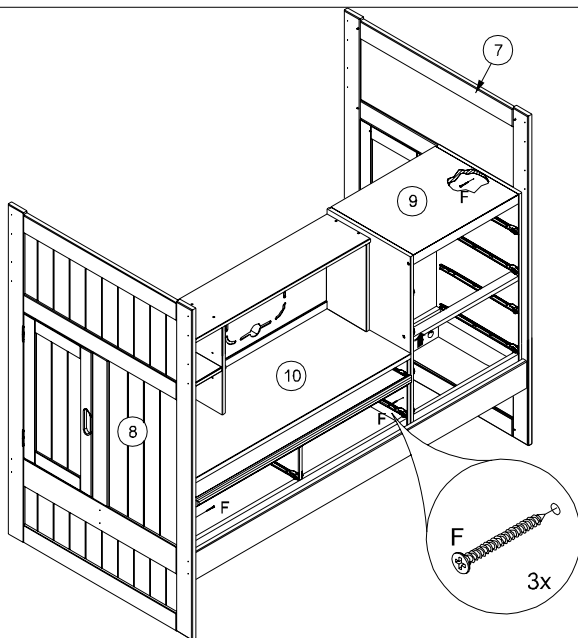
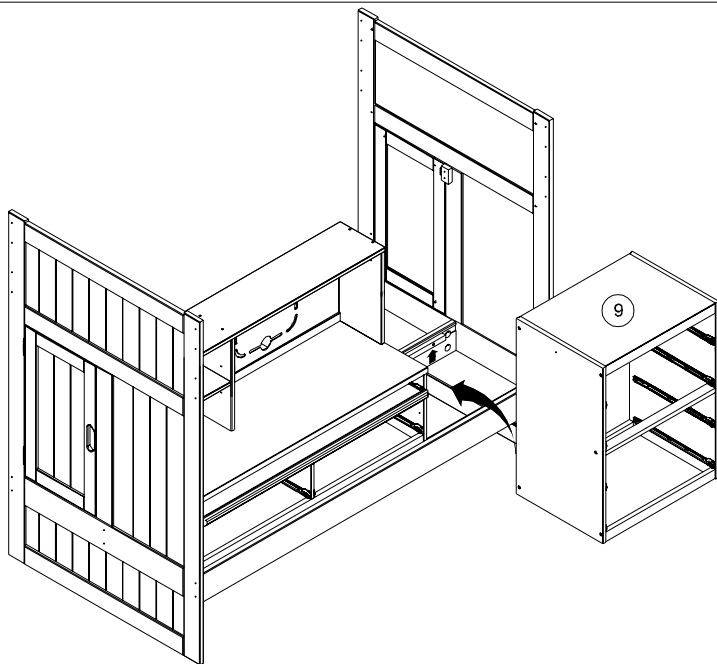


POSITION THE HUTCH BEFORE
THE DRAWER CHEST

STEP 3

CARTON #1, #2, #4 AND #5 OF 6

ASSEMBLE AND MOUNT THE HUTCH AND POSITION THE CHEST UNIT

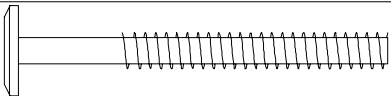





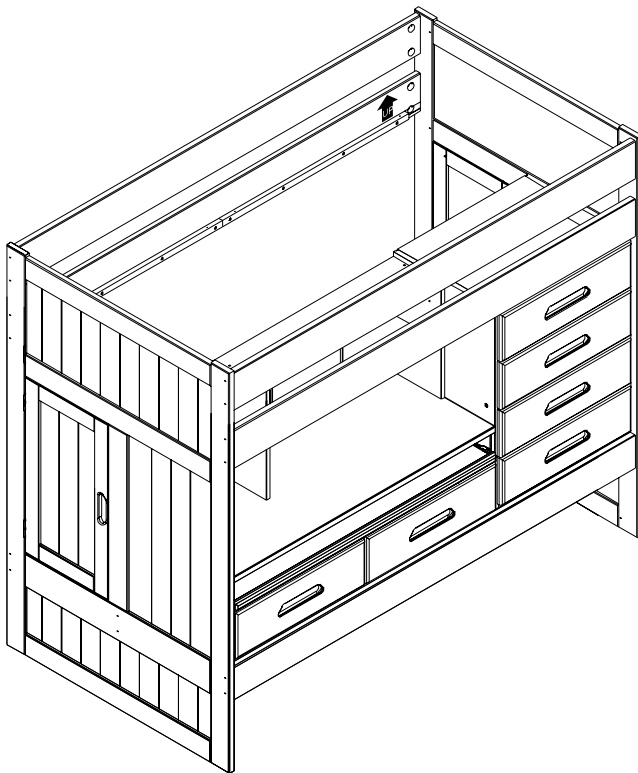
STEP 4

CARTON #1, #2, #3 AND #4 OF 6

ASSEMBLE AND MOUNT THE UPPER BUNK

HARDWARE LIST

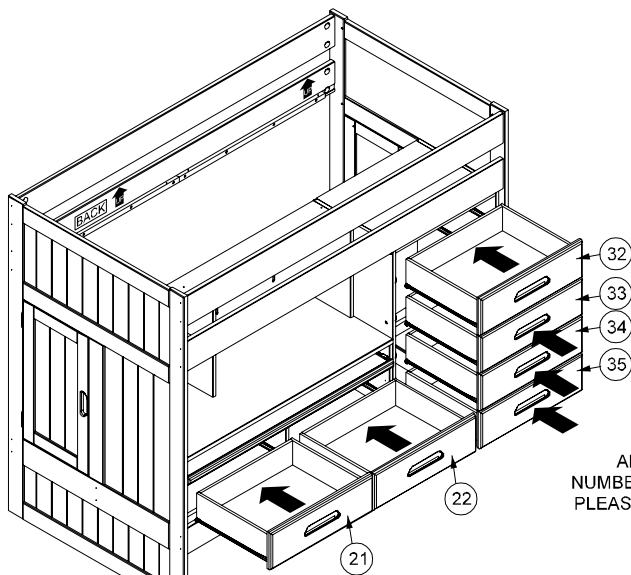
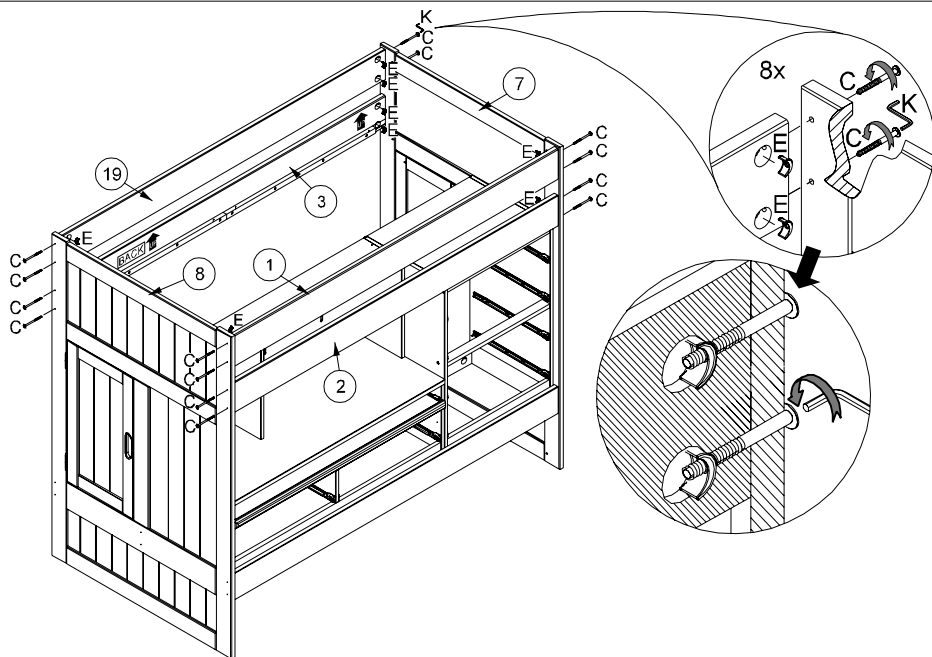
ITEM		MEASUREMENT	Q'TY
C		2 3/4"	16
E			16
K		ALLEN WRENCH Enclosed in hardware package #02	01
T		ALLEN BIT Enclosed in hardware package #02	01



STEP 4

CARTON #1, #2, #3 AND #4 OF 6

ASSEMBLE AND MOUNT THE UPPER BUNK




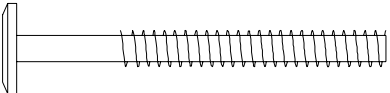

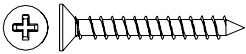


ALL DRAWERS ARE
NUMBERED ON THE BOTTOM,
PLEASE FOLLOW SEQUENCE
AS SHOWN.

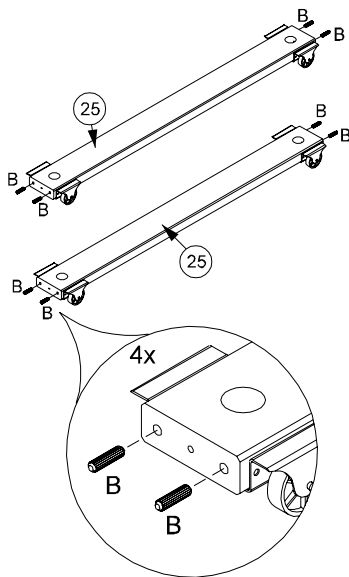
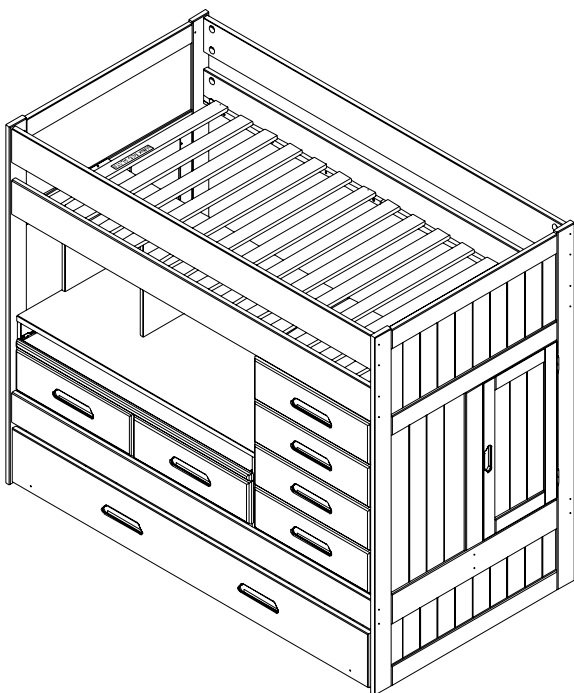
STEP 5

CARTON #2, #5 AND #6 OF 6

ASSEMBLE AND MOUNT THE TRUNDLE

HARDWARE LIST

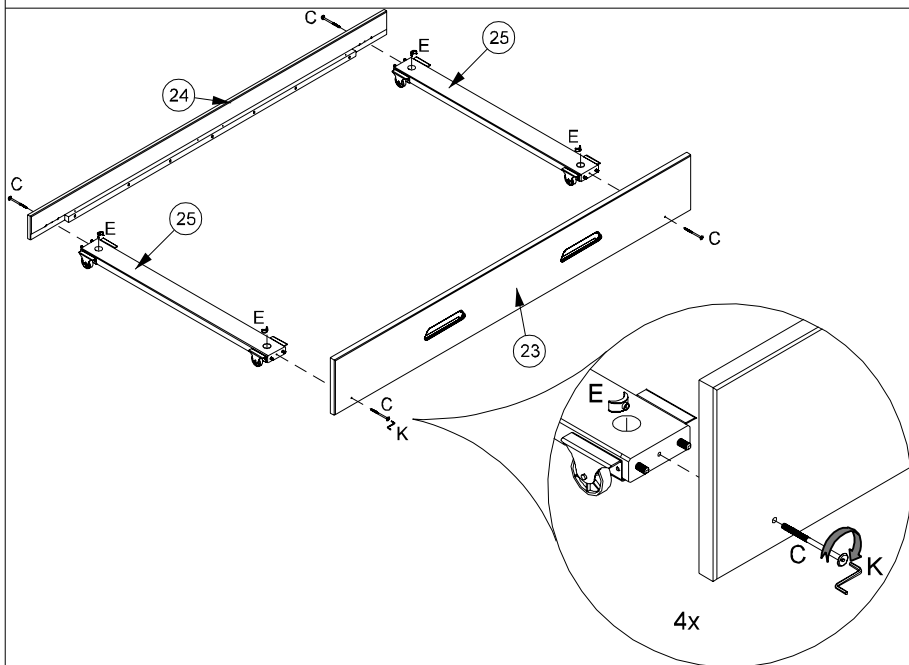
ITEM		MEASUREMENT	Q'TY
B		1 3/16"	08
C		2 3/4"	04
E			04
F		1 3/8"	12
K		ALLEN WRENCH Enclosed in hardware package #02	01
T		ALLEN BIT Enclosed in hardware package #02	01



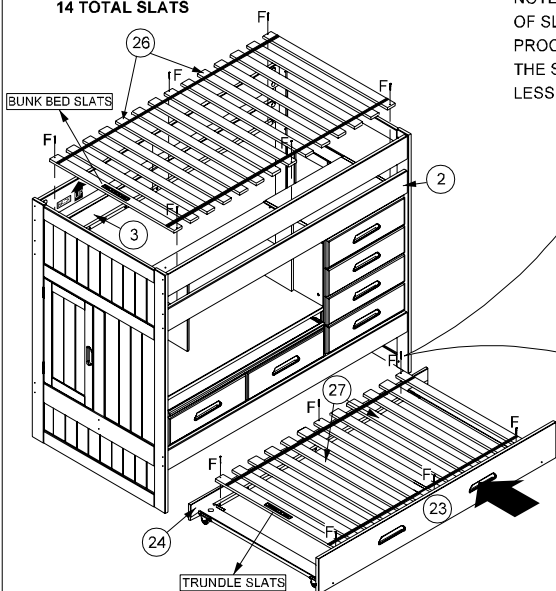
STEP 5

CARTON #2, #5 AND #6 OF 6

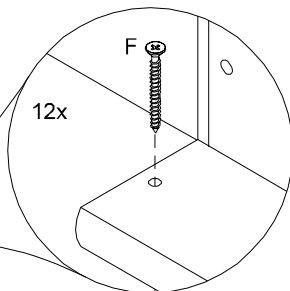
ASSEMBLE AND MOUNT THE TRUNDLE



IMPORTANT!! 14 TOTAL SLATS



NOTE: PLEASE START FIXING THE CENTRAL RAIL OF SLATS SUPPORT, AFTER THAT YOU CAN PROCEED FIXING THE OTHER RAILS. THE SPACING BETWEEN SLATS NEEDS TO BE LESS THAN 3 1/4".

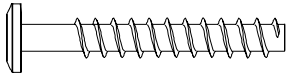
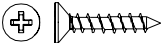


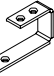


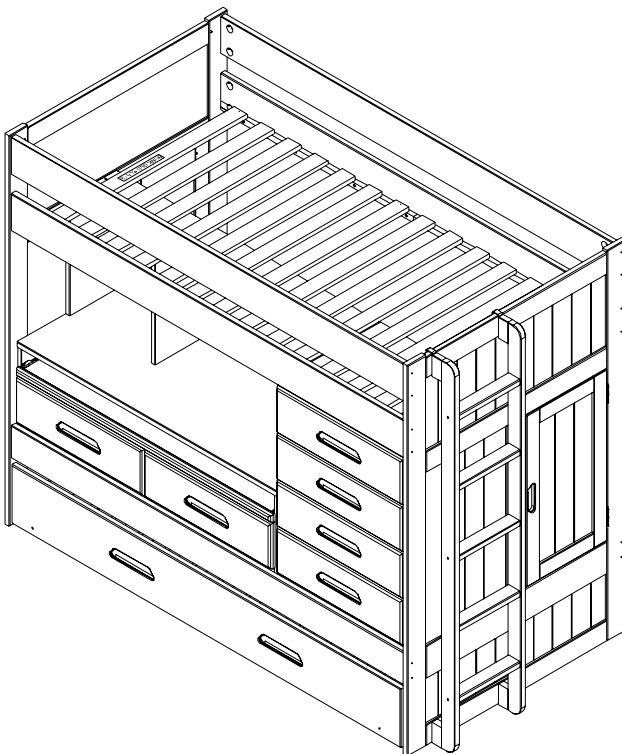
STEP 6

CARTON #5 OF 6

ASSEMBLE AND MOUNT THE LADDER

HARDWARE LIST

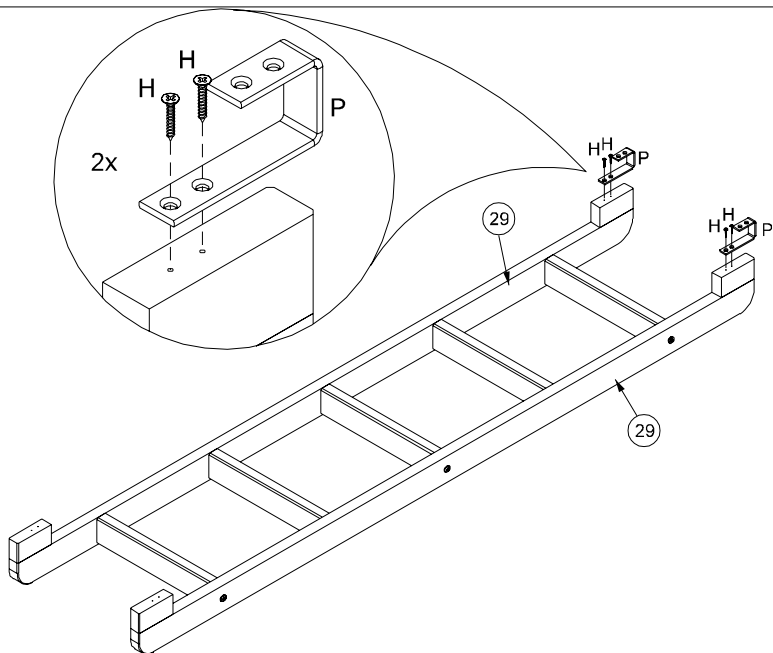
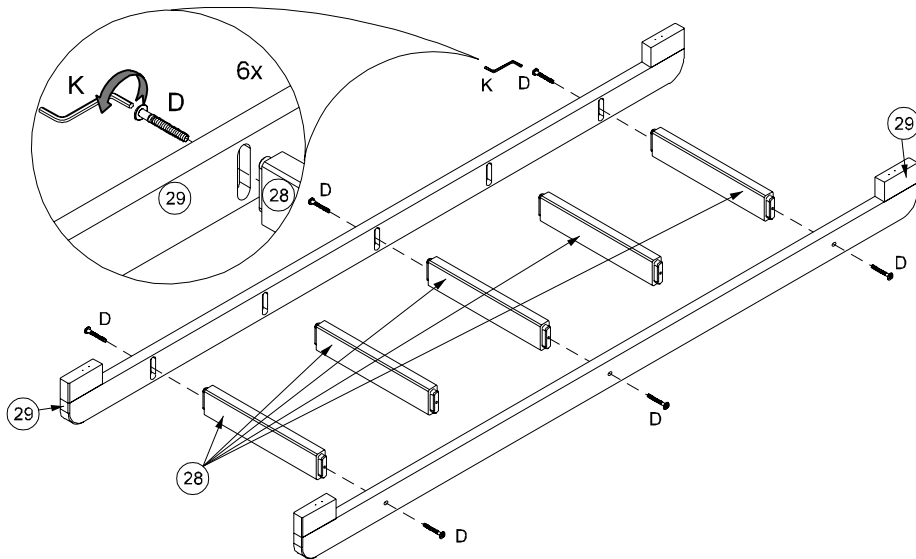
ITEM		MEASUREMENT	Q'TY
D		1 15/16"	06
H		13/16"	08
K		ALLEN WRENCH Enclosed in hardware package #02	01
T		ALLEN BIT Enclosed in hardware package #02	01
P			02



STEP 6

CARTON #5 OF 6

ASSEMBLE AND MOUNT THE LADDER



STEP 6

CARTON #5 OF 6

ASSEMBLE AND MOUNT THE LADDER

