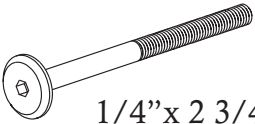
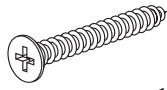


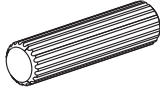
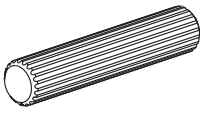
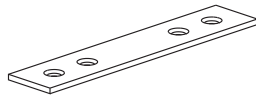
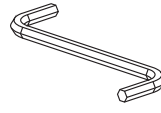


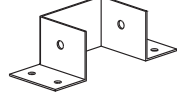
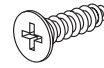
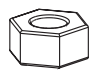


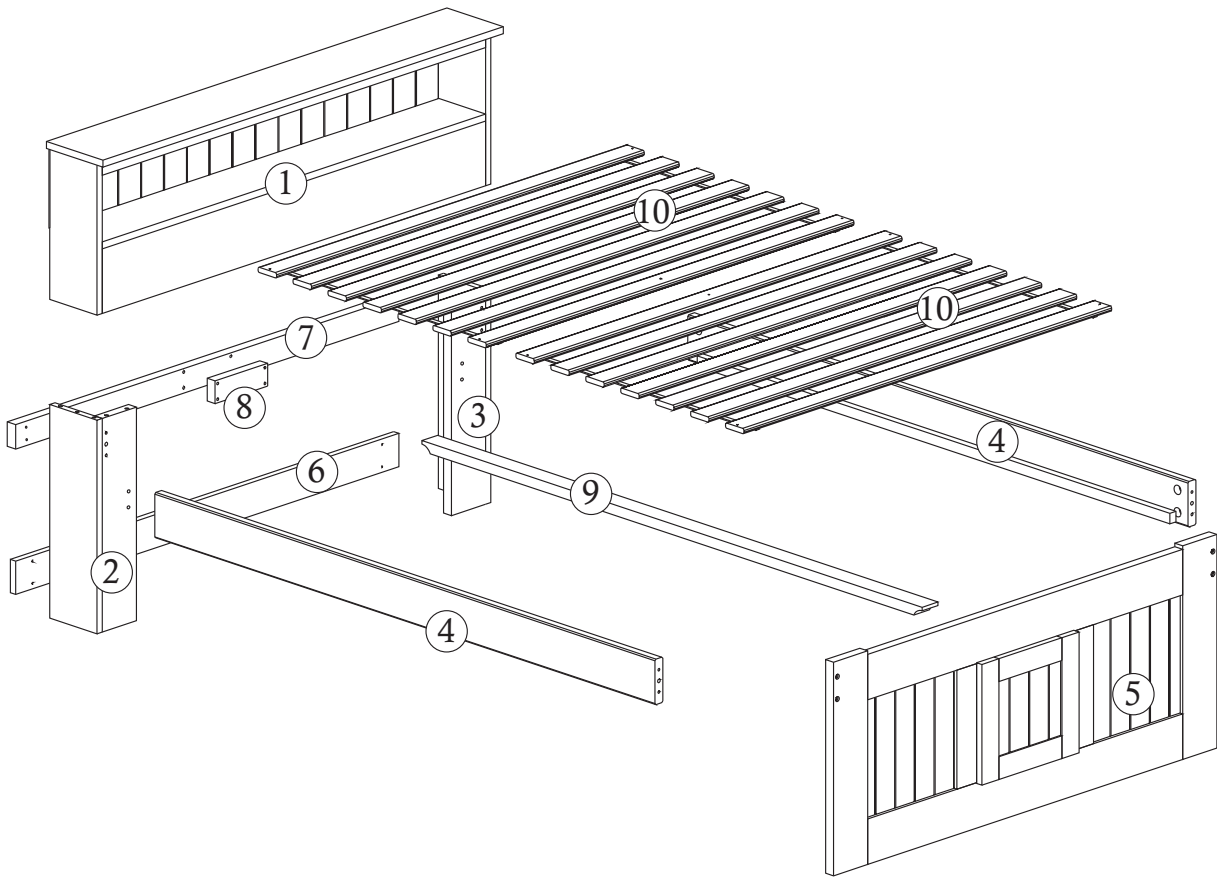
A	 1/4" x 2 3/4"	08
B	 1 15/16"	12
C	 3/4"	08
D	 1/2"	08
E	 1 1/2"	10
F	 2"	04
G		02

H		01
I		08
J	 3/16" x 2 1/2"	02
K		02
L	 1 3/8"	10
M		02

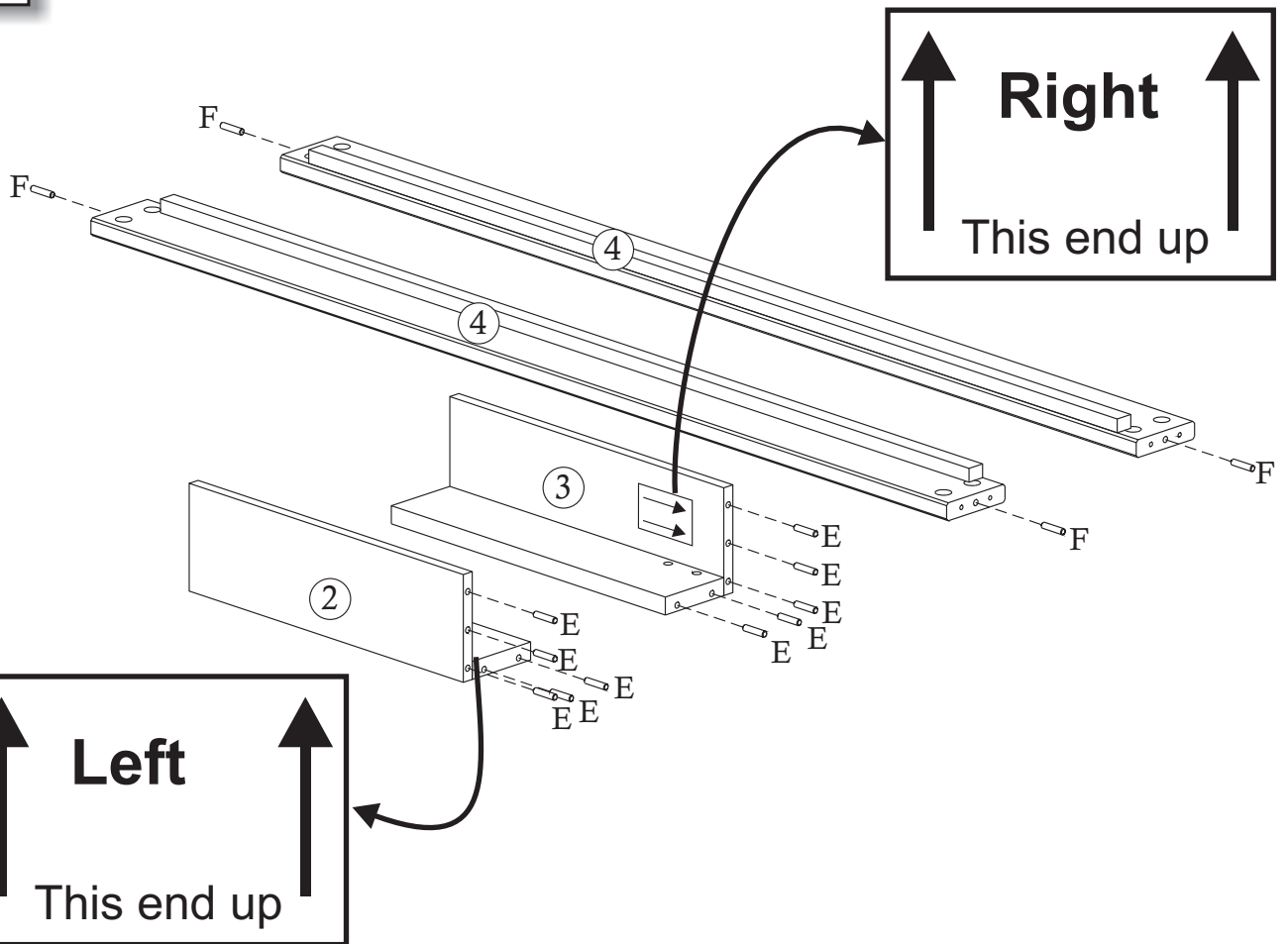
WARRANTY

Replacement Parts & Limited Lifetime Warranty

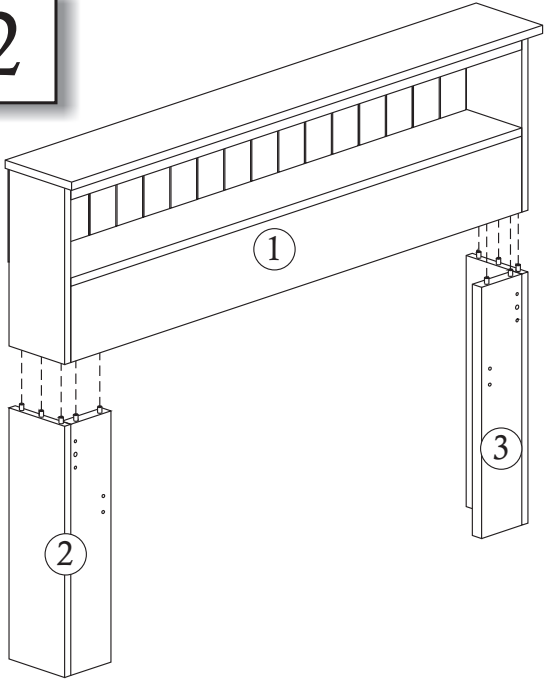
Discovery World Furniture will replace any component part free of charge for 1 full year via UPS freight collect. In addition, Discovery World Furniture will replace any component part for 50% of the then prevailing retail price plus freight for the lifetime of the product. For service, mail your request to:
Discovery World Furniture 915 Cornwall Rd, Sanford, FL 32773



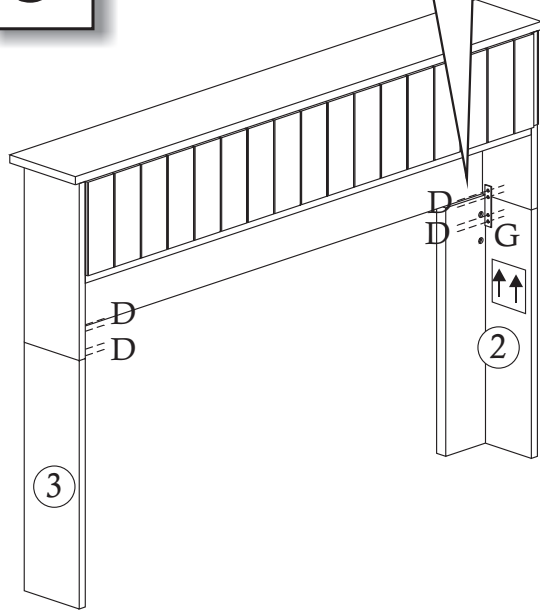
1



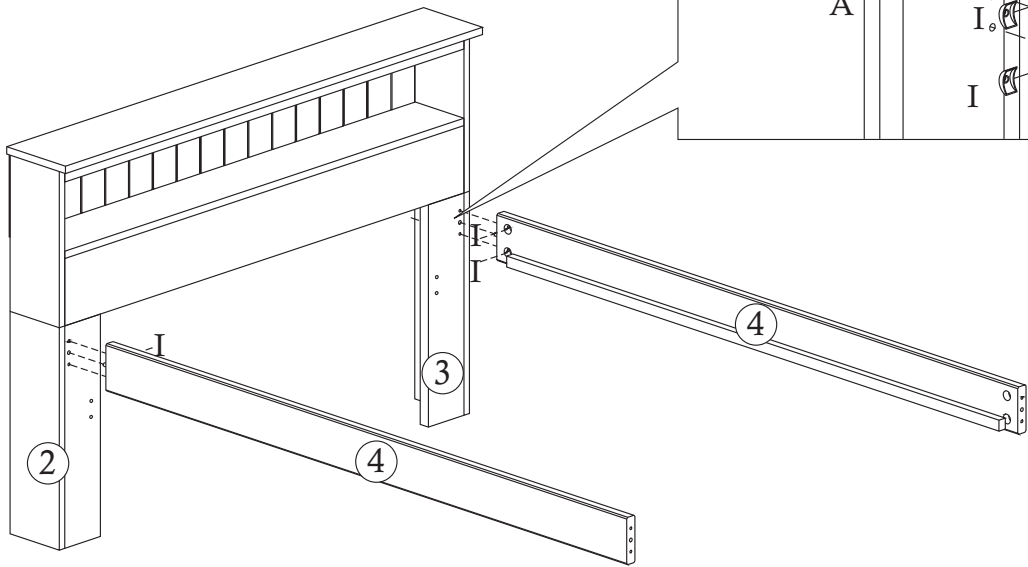
2



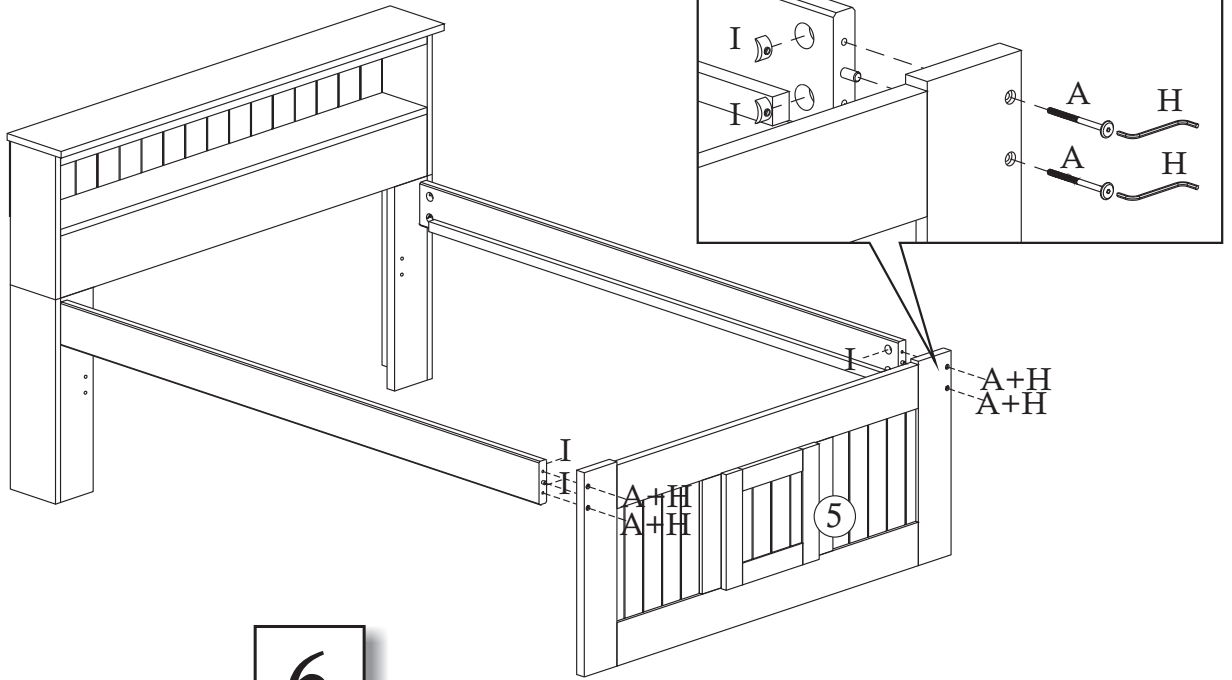
3



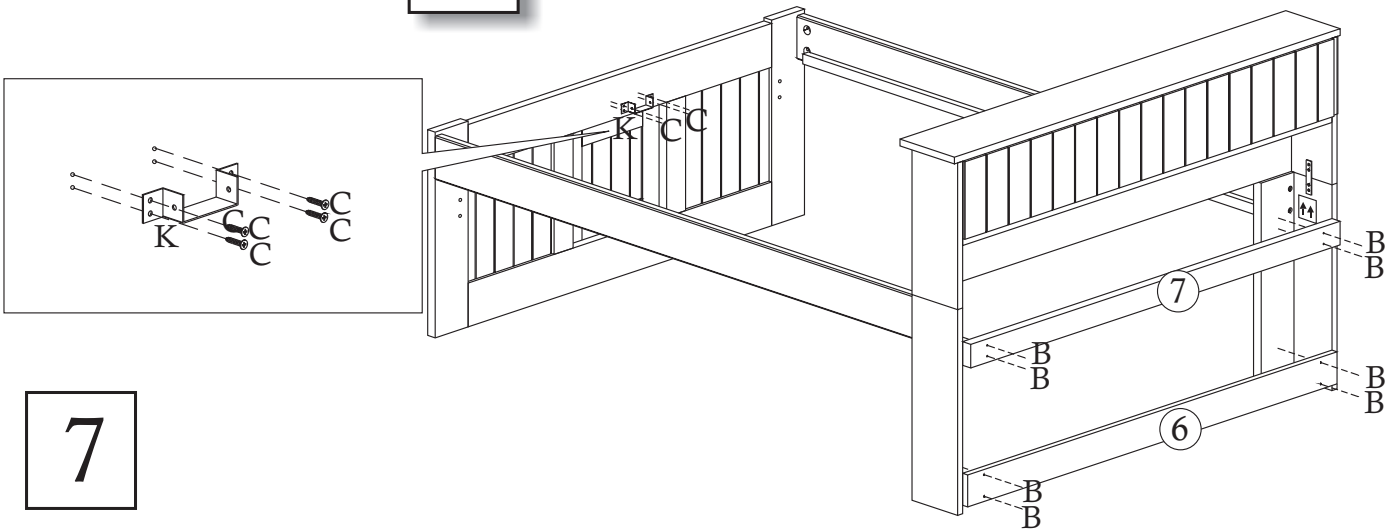
4



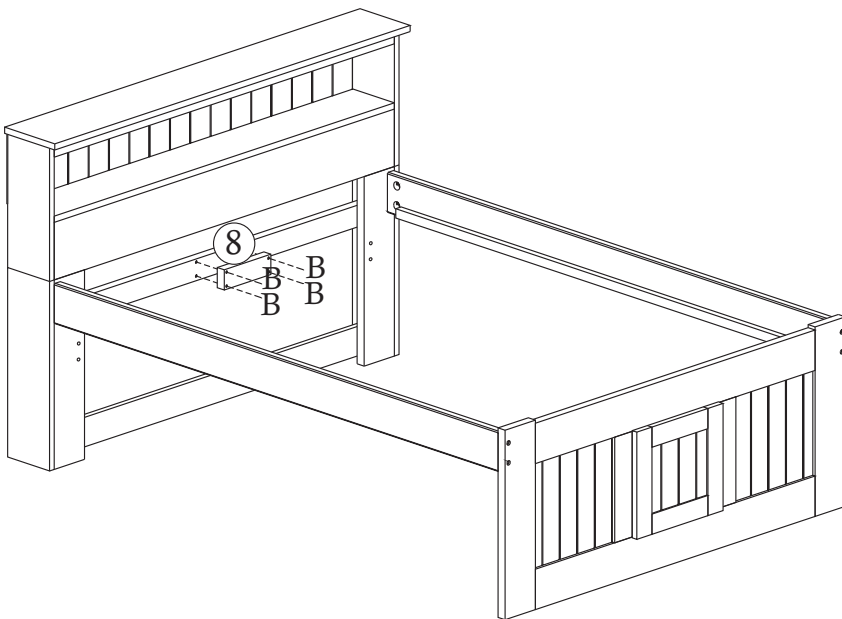
5



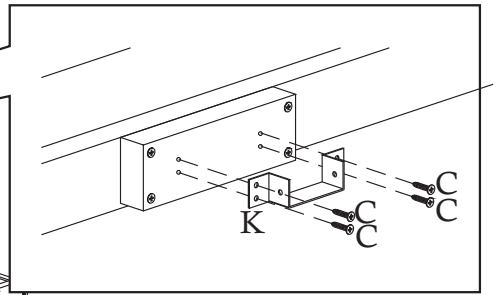
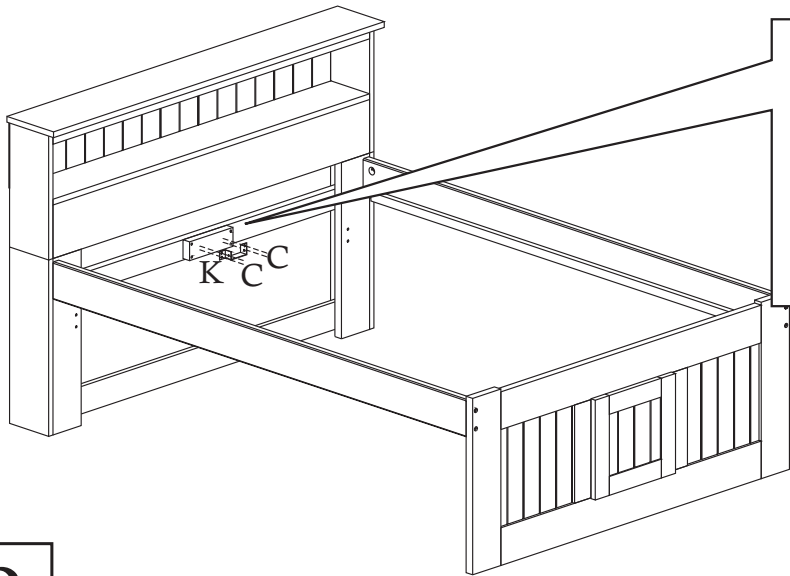
6



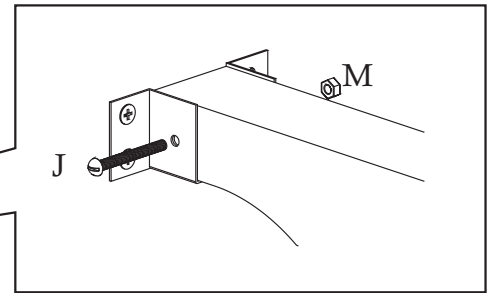
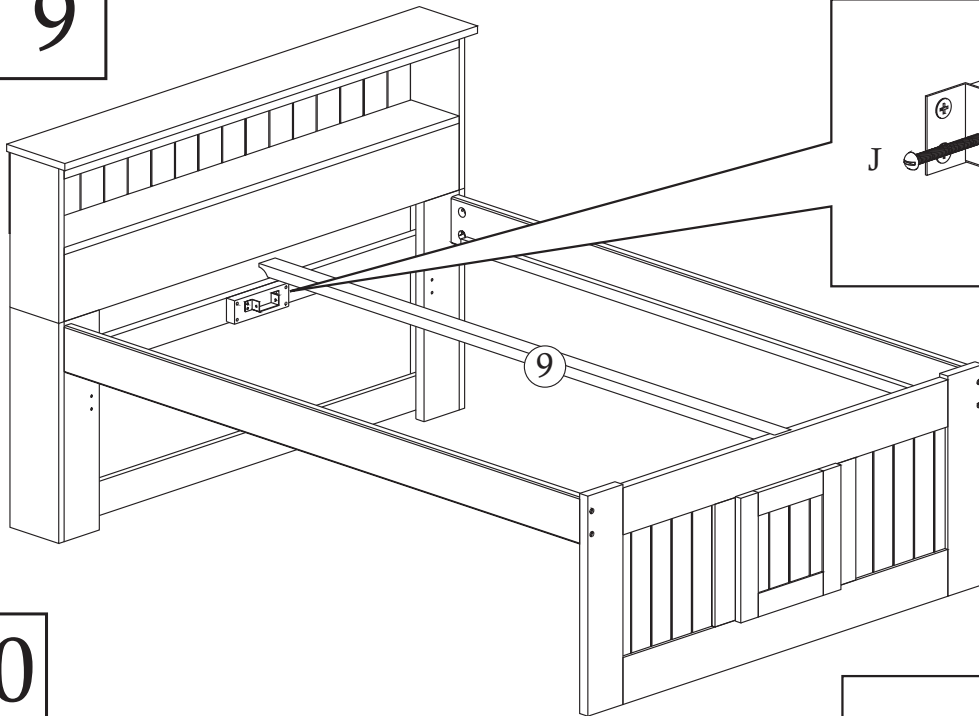
7



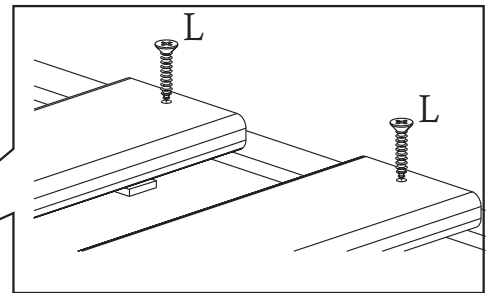
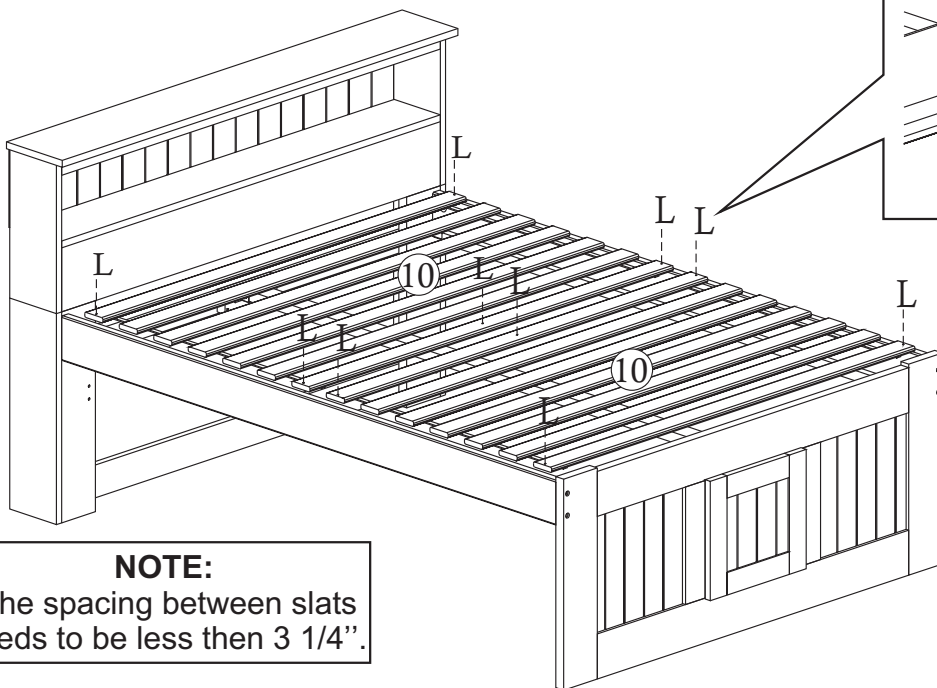
8



9



10



NOTE:

The spacing between slats needs to be less than 3 1/4".