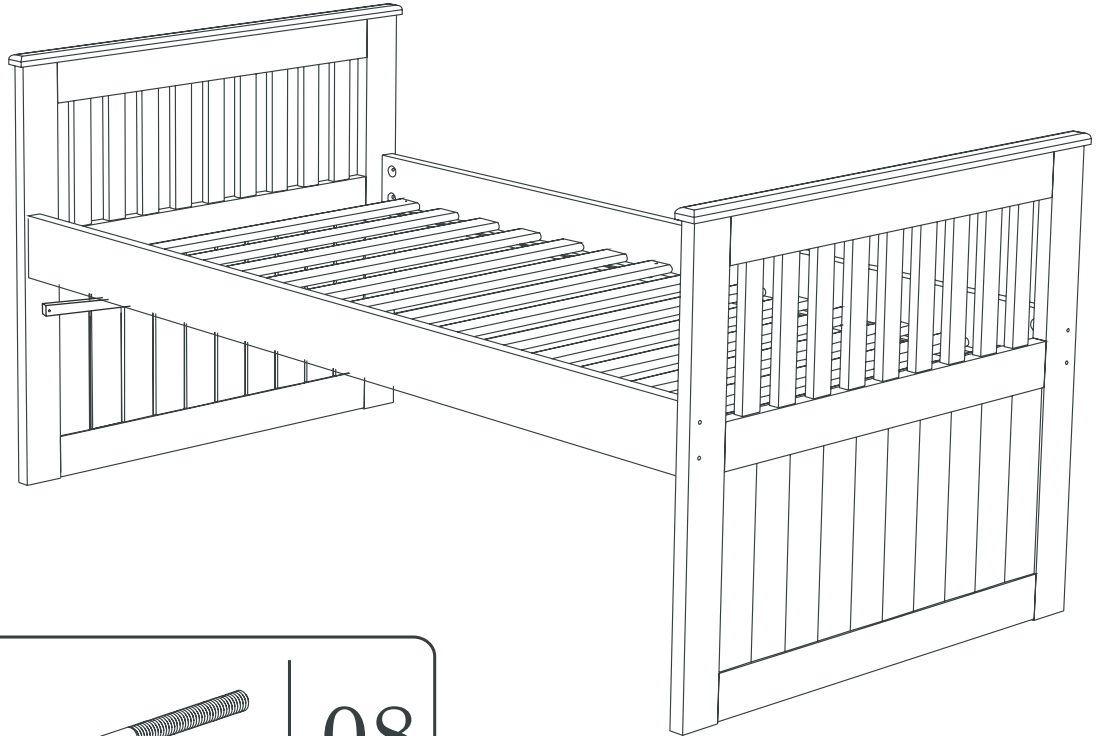

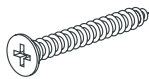
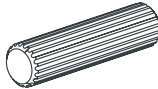

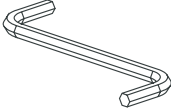




1035-2135-2835-7035 RAKE BED

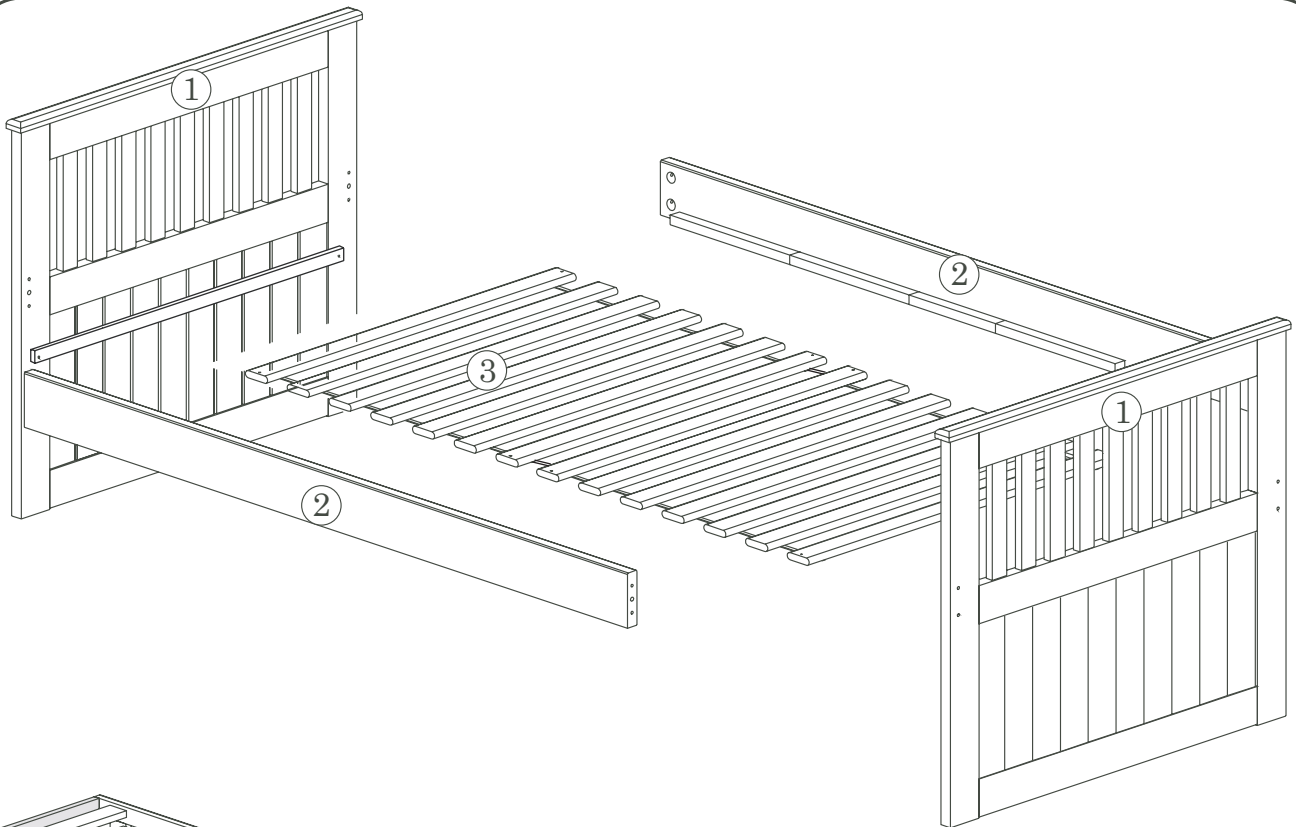


A	 $1/4'' \times 2 \ 3/4''$	08
B	 $1 \ 3/8''$	08
C	 $2''$	04
D		08
E		01

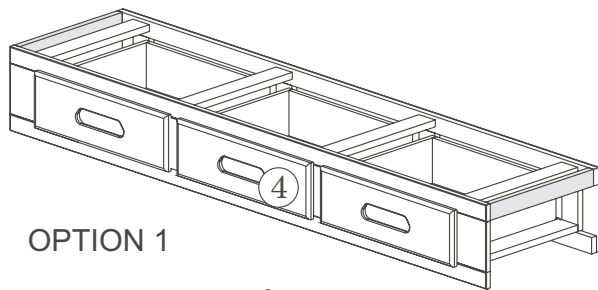
Replacement Parts & Limited Lifetime Warranty

Discovery World Furniture will replace any component part free of charge for 1 full year via UPS freight collect. In addition, Discovery World Furniture will replace any component part for 50% of the then prevailing retail price plus freight for the lifetime of the product, unless the product has been discontinued from our line. For service, mail your request to: Discovery World Furniture 915 Cornwall Rd, Sanford, FL 32773.

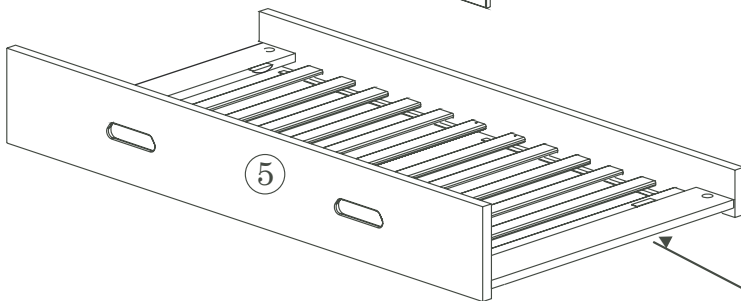
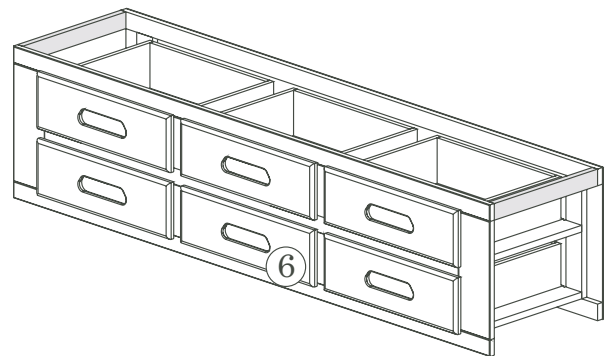
Website www.discoveryworldfurniture.com



OPTION 2

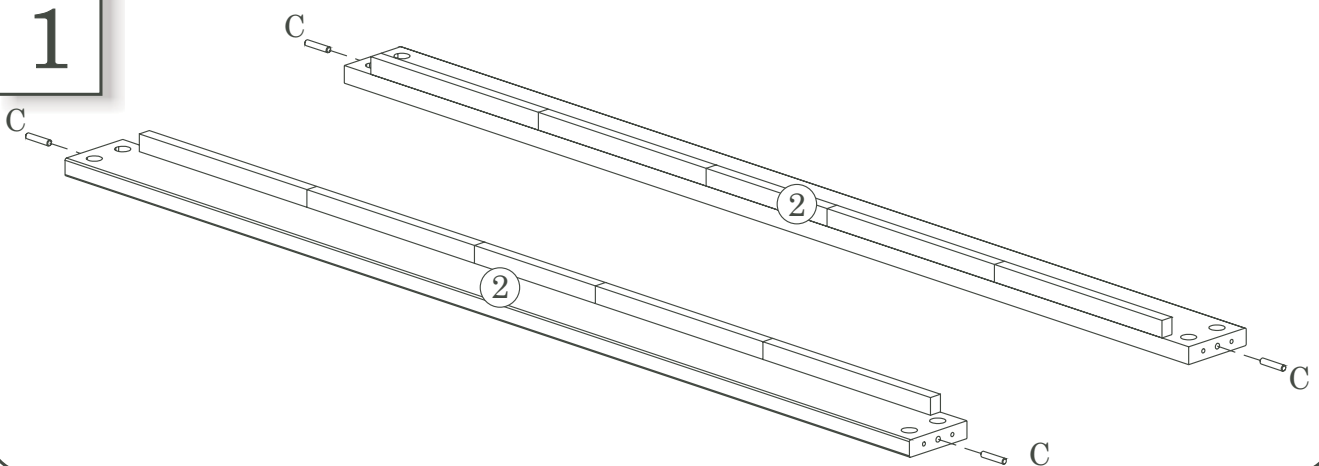


OPTION 1

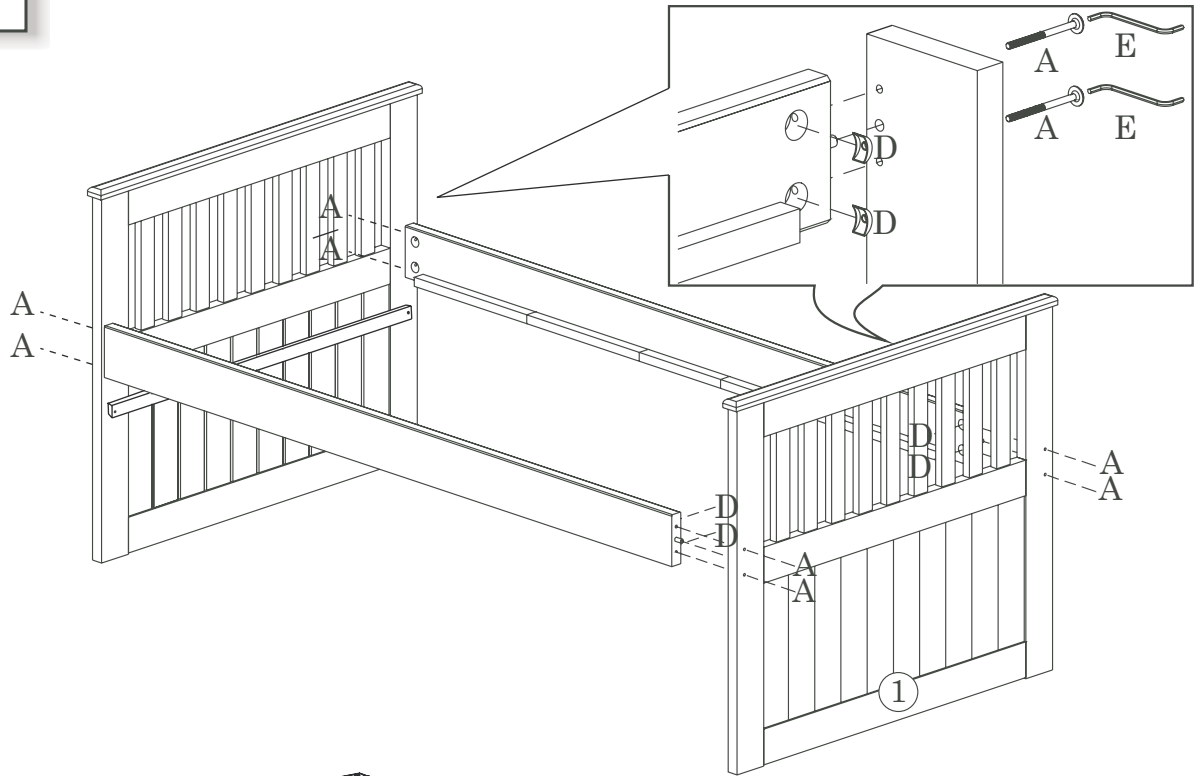


"Trundle Assembly Instructions
in Trundle Box".

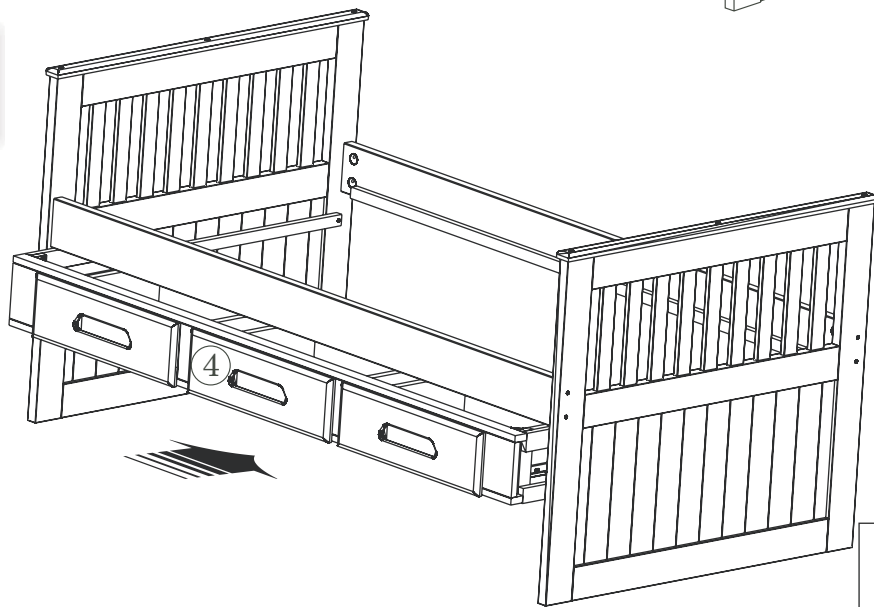
1



2

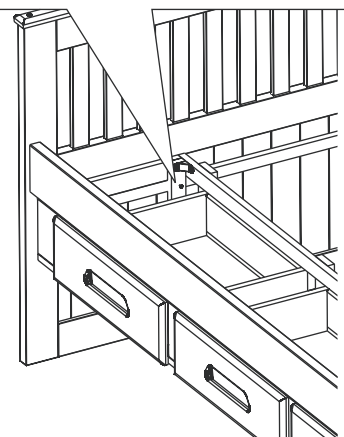


3

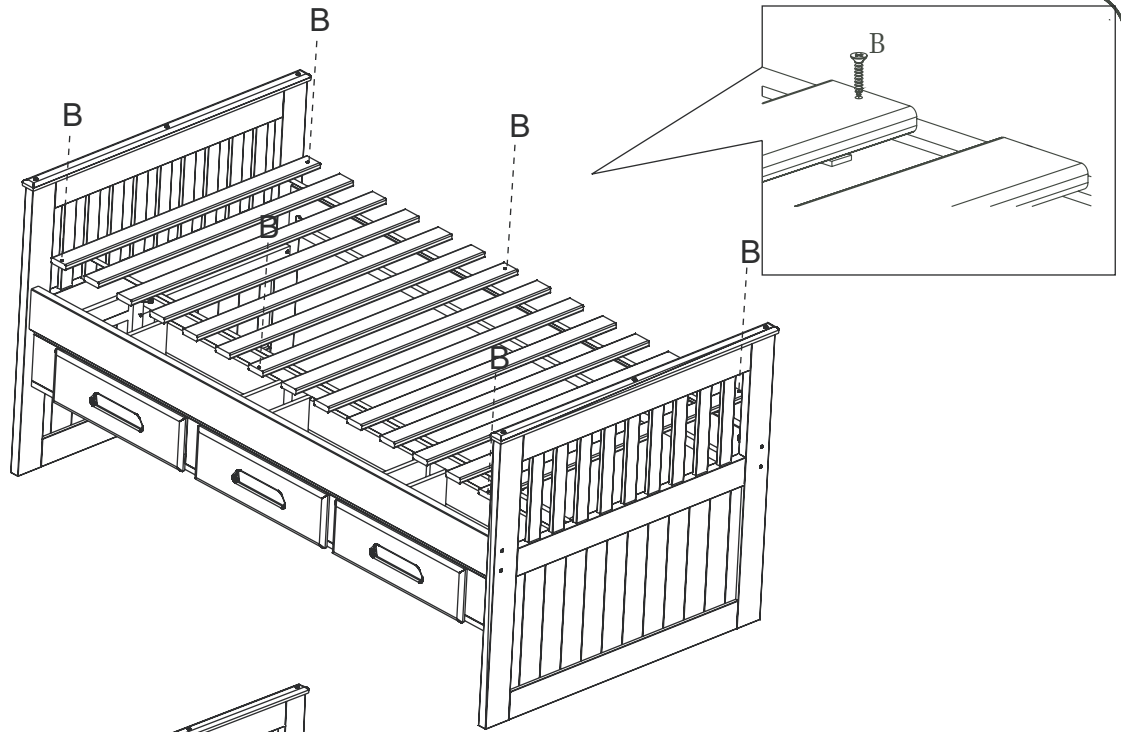


Optional

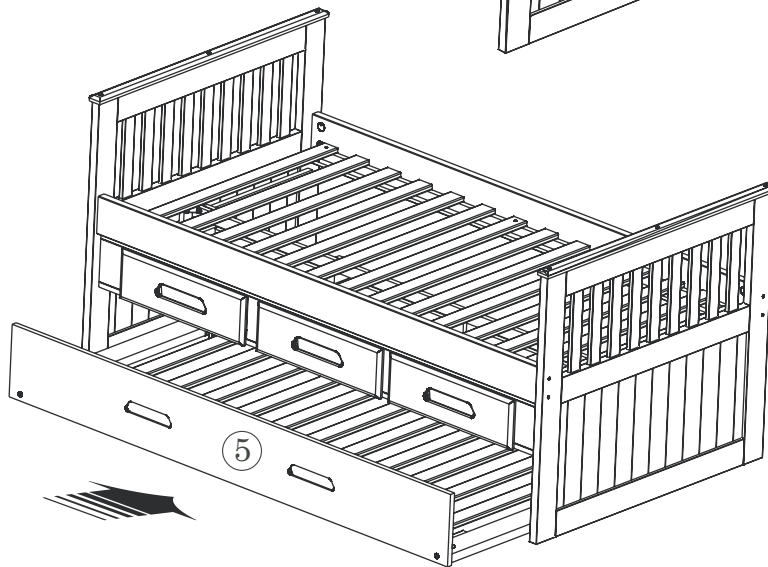
screw elevation unit
into the elevation stick



4



5



OPTION 2

