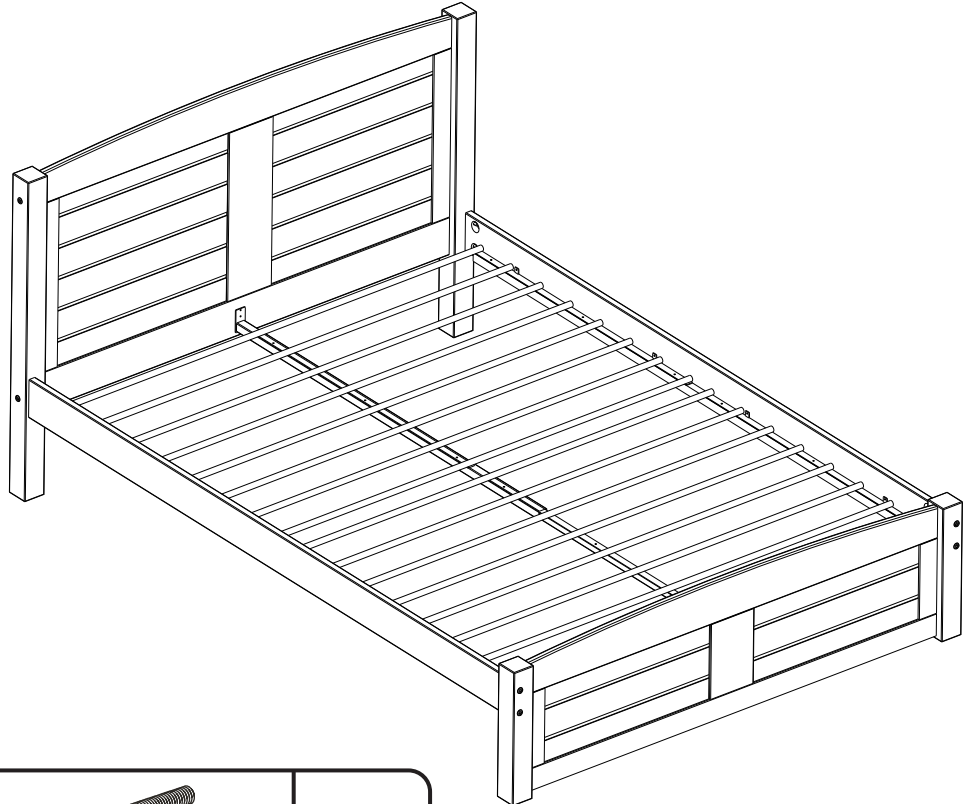

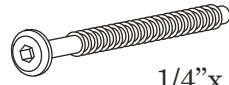
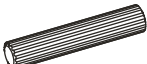

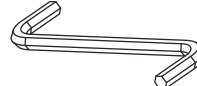




4131-4231-4831

Full Size Platform Bed



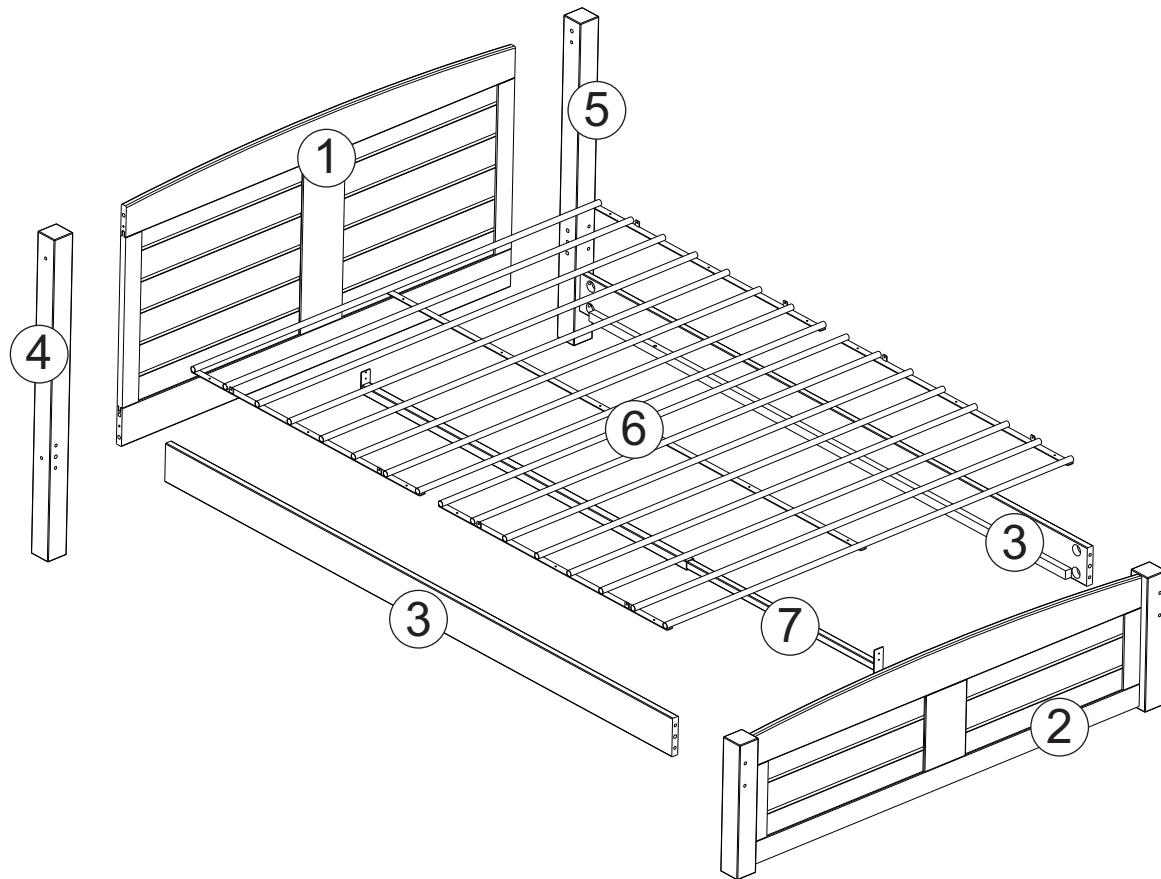
A	 1/4"x 4 1/4"	08
B	 1/4"x 4"	04
C	 Wooden Dowel	10
D		08
E		01

Replacement Parts & Limited Lifetime Warranty

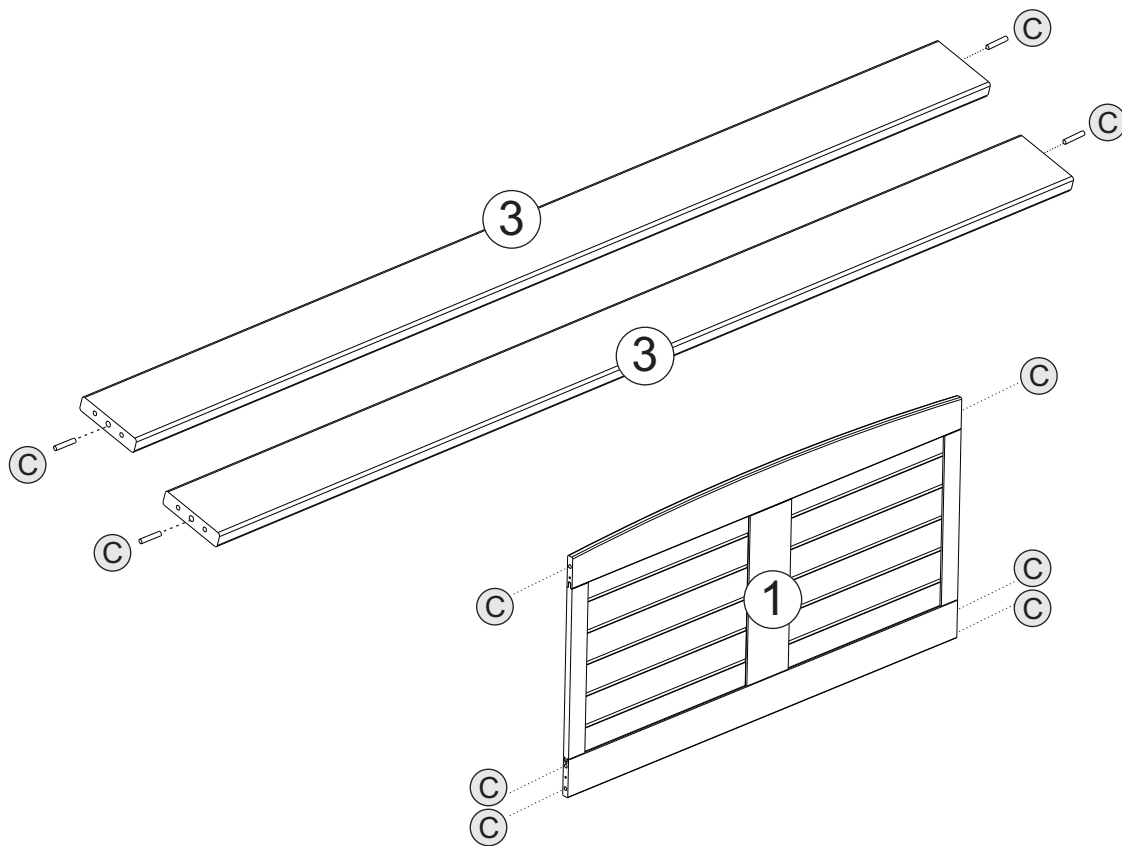
Discovery World Furniture will replace any component part free of charge for 1 full year via UPS freight collect. In addition, Discovery World Furniture will replace any component part for 50% of the then prevailing retail price plus freight for the lifetime of the product, unless the product has been discontinued from our line. For service, mail your request to: Discovery World Furniture 915 Cornwall Rd, Sanford, FL 32773.

Website www.discoveryworldfurniture.com

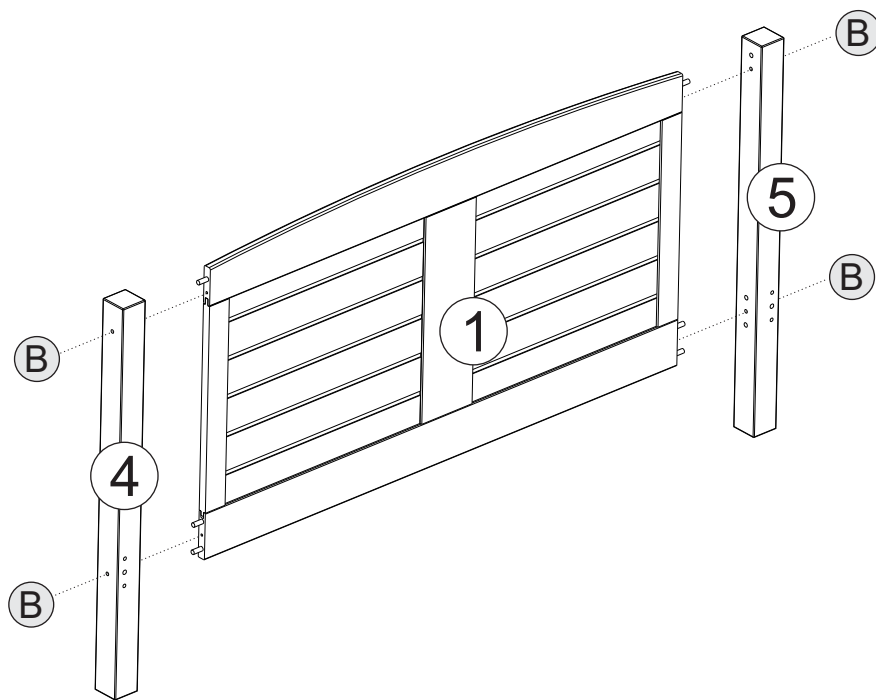
Parts number



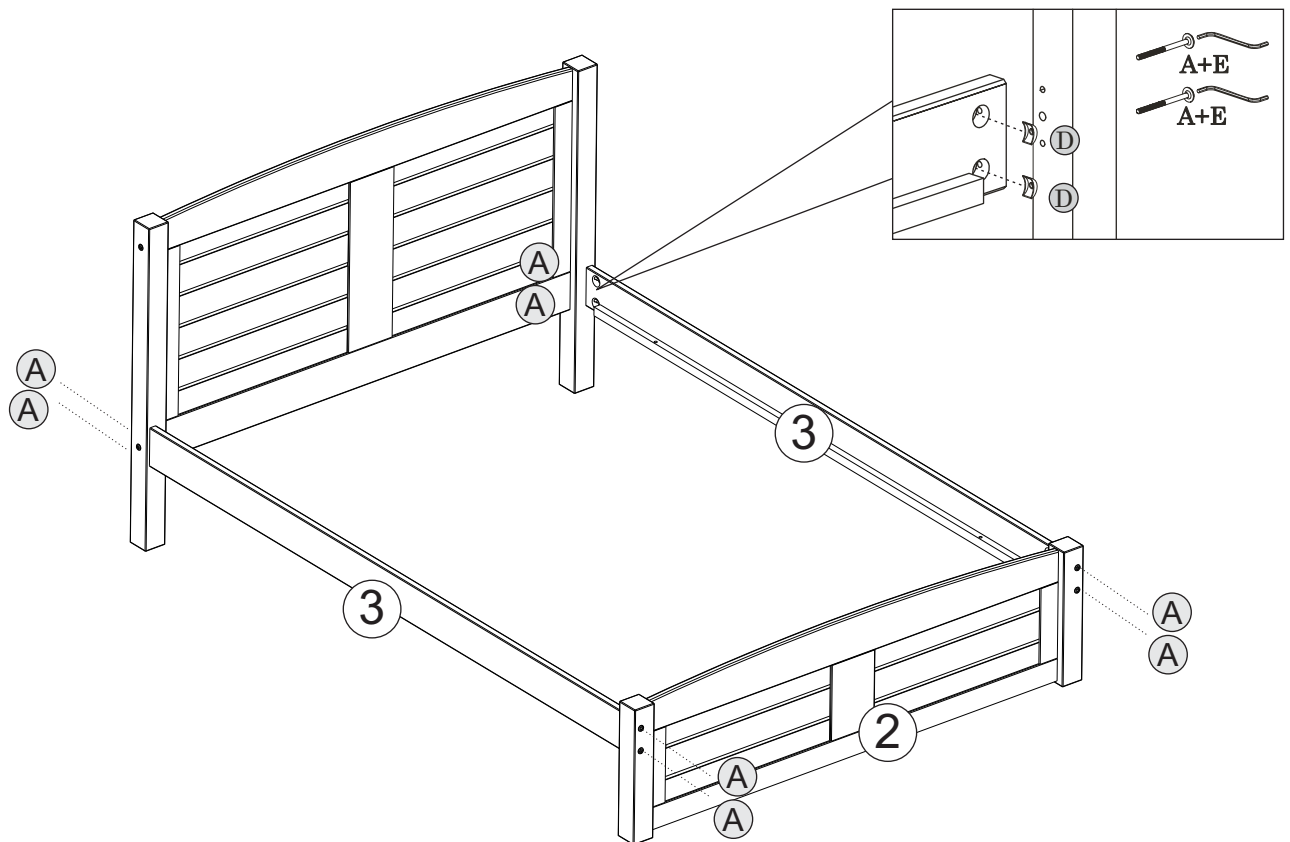
1



2



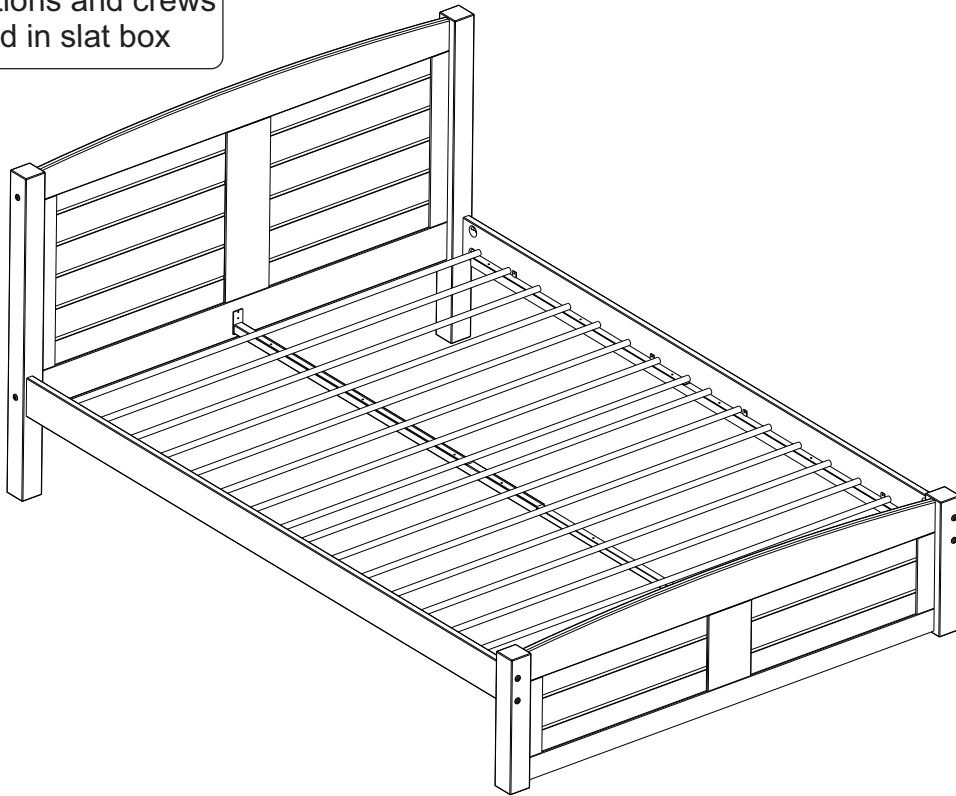
3



4

Install slats and center support

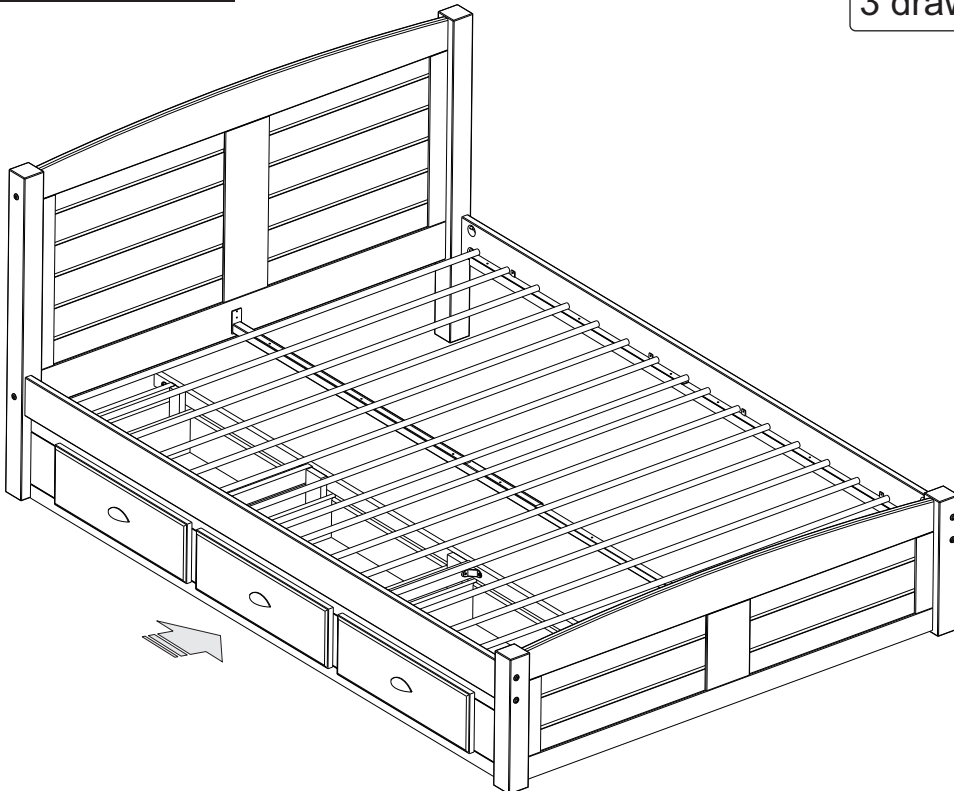
Instructions and crews
included in slat box



5

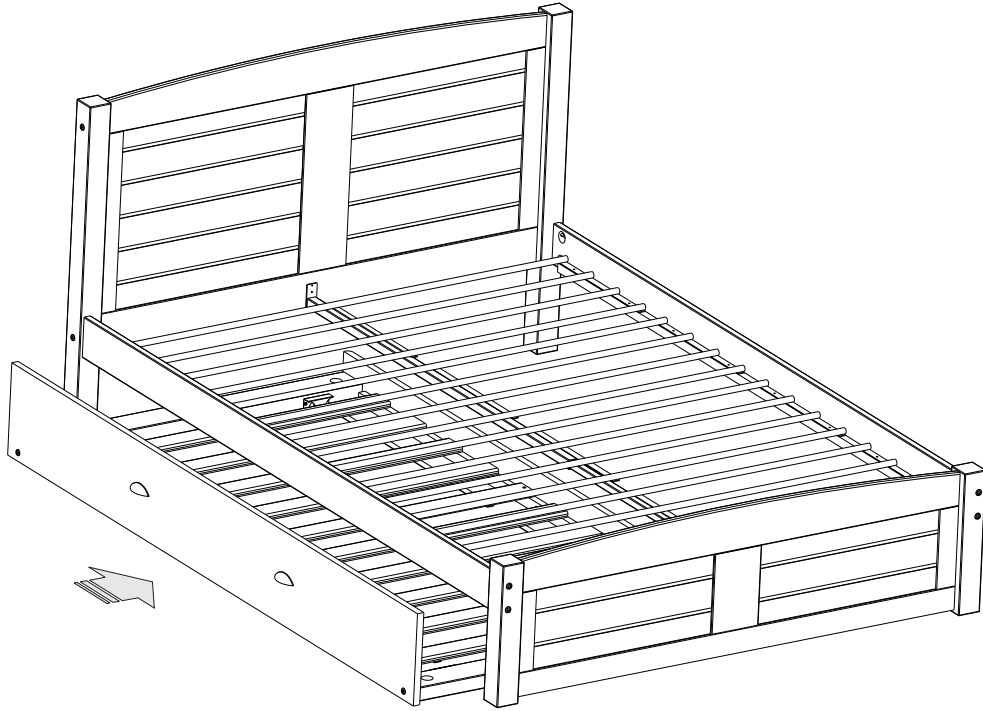
Accessories

Shown with optional
3 drawers unit



6

Shown with optional
Trundle Bed



7

Shown with optional
KD Drawers

