



SAFETY FIRST !!!!!

7009 -2109 Twin/Twin Bunk Bed

All of Discovery's Bunkbeds were designed and manufactured with your child's safety as our top priority. Their unparalleled strength is a bi-product of the safety design. Our bunks meet all compliance with ASTM F 1427-07 "Standard Consumer Safety Specification for Bunk Beds" and Code of Federal Regulations (CFR) 1213 "Safety Standards for Entrapment Hazards in Bunk Beds" and (CFR) 1513 "Requirements for Bunk Beds".

Safety is a cooperative effort between us as the manufacturer, and you as a guardian. Please read and consider the warnings listed below when choosing a mattress and discussing rules of use with your child.

SAFETY WARNINGS

1. Follow the information on the warnings appearing on the upper bunk end structure and on the carton. Do not remove warning label from bed.
2. Always use the recommended size mattress or mattress support, or both, to help prevent the likelihood of entrapment or falls.
3. Surface of mattress must be at least 5 inches (127 mm) below the upper edge of guardrails.
4. Do not allow children under 6 years of age to use the upper bunk.
5. Prohibit more than one person on the upper bunk.
6. Periodically, check and ensure that the guardrail, ladder, and other components are in their proper position, free from damage, and that all connectors are tight.
7. Do not allow horseplay on or under the bed and prohibit jumping on the bed.
8. Always use the ladder for entering and leaving the upper bunk.
9. Do not use substitute parts. Contact the manufacturer or dealer for replacement parts.
10. Use of a nightlight may provide added safety precaution for a child using the upper bunk.
11. Always use guardrails on both long sides of the upper bunk. If bunk bed will be placed next to the wall, the guardrail that runs the full length of the bed should be placed against the wall to prevent entrapment between the bed and wall.
12. The use of water or sleep flotation mattresses is prohibited.
13. Keep these instructions for future reference.

STRANGULATION HAZARD—Never attach or hang items to any part of the bunk bed that are not designed for use with the bed; for example, but not limited to, hooks, belts and jump ropes.

SIZE OF MATTRESS AND FOUNDATION

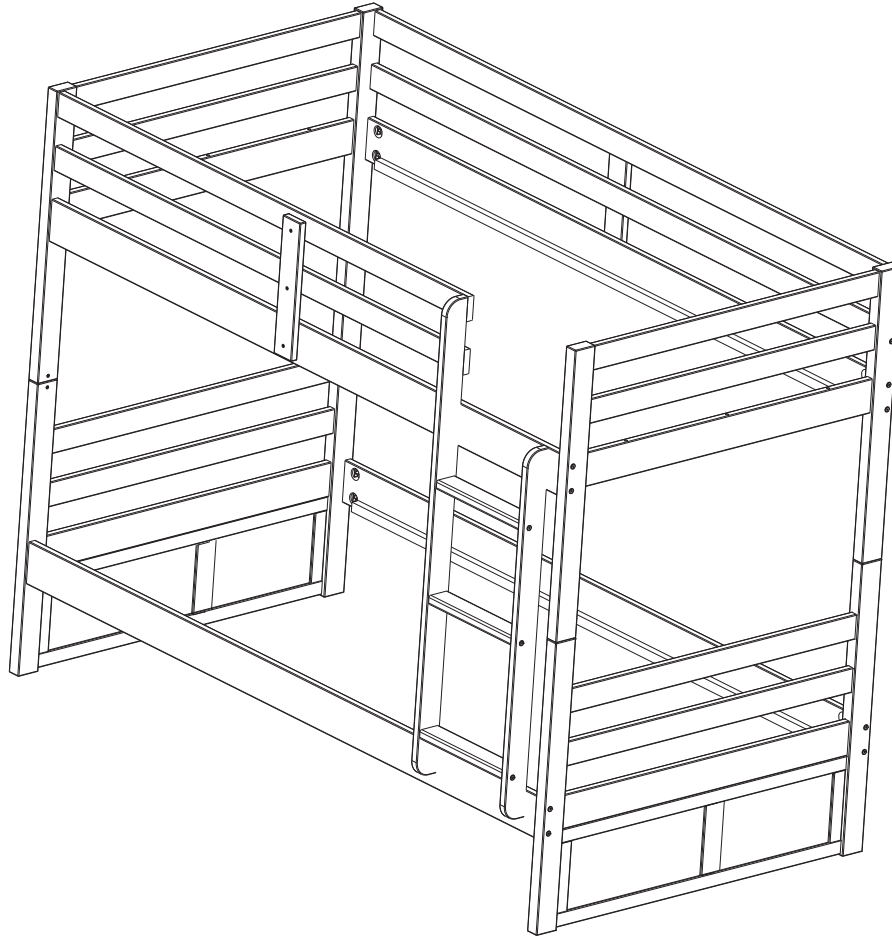
Use only mattress, foundation and deck combined which is 74-75 inches long and 37 ½-38 ½ inches wide on upper bunk.

Ensure thickness of mattress and foundation combined does not exceed 9 inches and mattress and is at least 5 inches below upper edge of guardrails.

*****Replacement parts, including additional guardrails, may be obtained from any Discovery dealer or directly from us at the below address.

915 Cornwall Road
Sanford, FL 32773

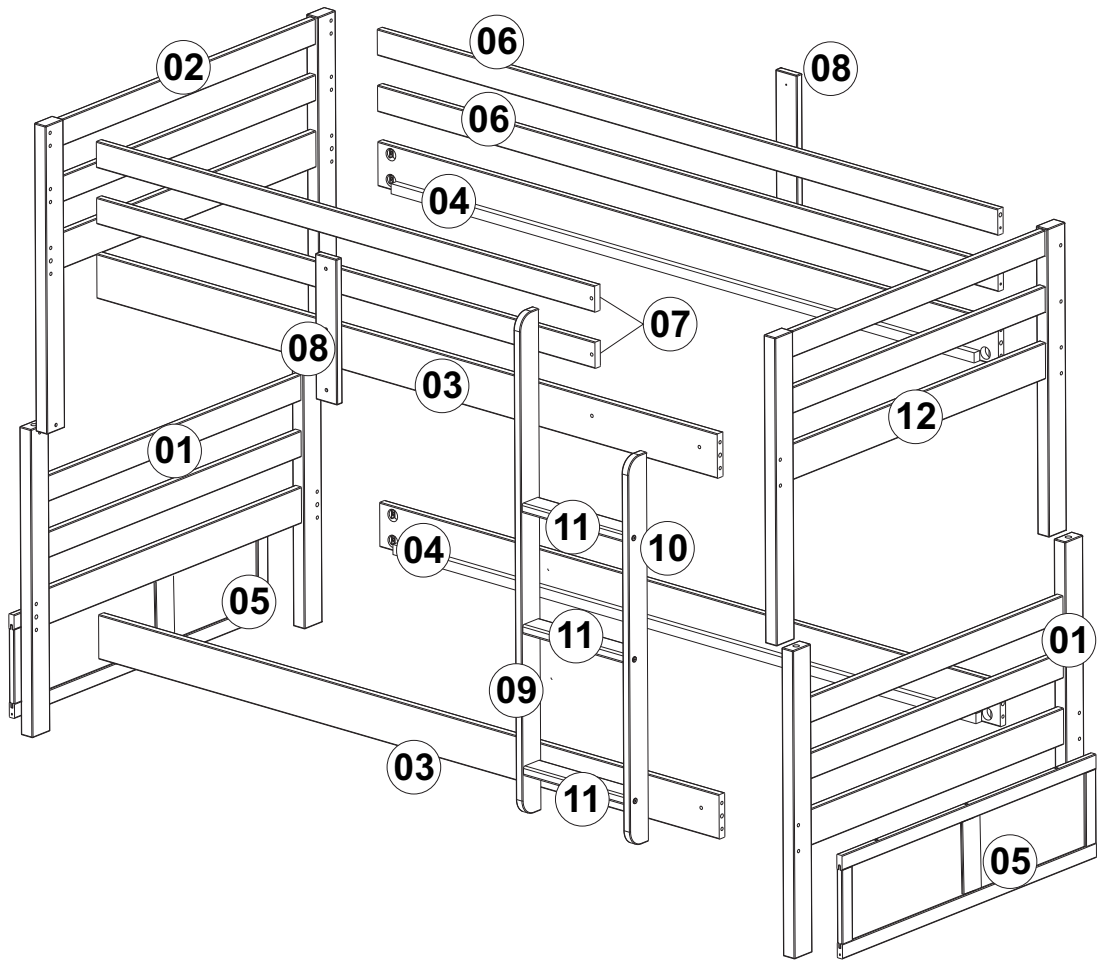
7009 -2109 Twin/Twin Bunk Bed



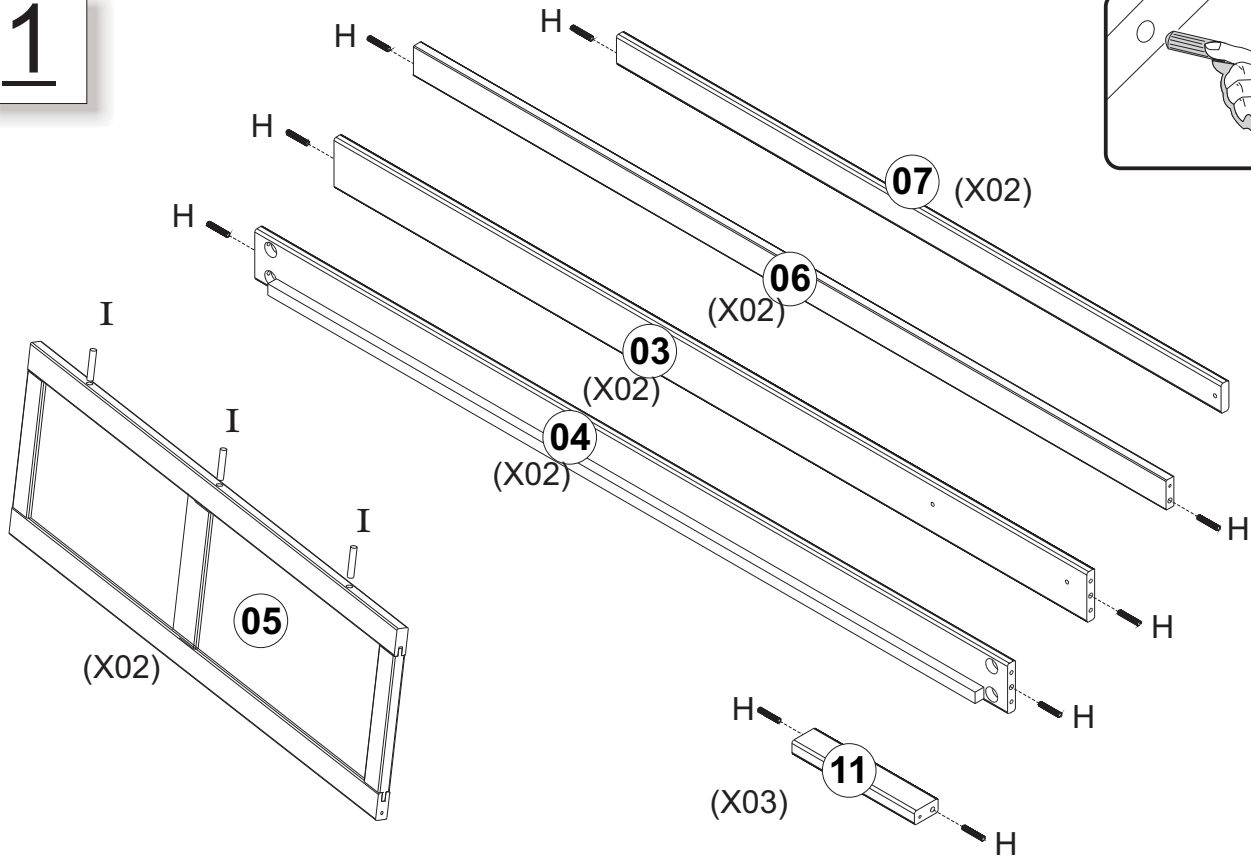
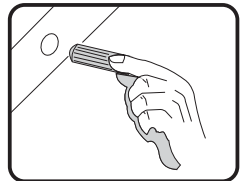
A	1/4 X 2 3/4"	16	F	1 1/4"	22
B	1/4 X 2 3/4"	06	G	3 1/2"	04
C	1/4 X 2"	12	H	2"	20
D	1/4"	16	I	1 1/2"	06
E		01	J	3/4"	08

Replacement Parts & Limited Lifetime Warranty

Discovery world furniture will replace any component part free of charge for 1 full year via UPS freight collect. In addition, Discovery world furniture will replace any component part for 50% of the then prevailing retail price plus freight for the lifetime of The product un less the product has been discontinued from our line. For service, mail your request to: Discovery World Furniture 915 Cornwall Rd, Sanford, FI 32773 Website www.discoveryfurniture.com

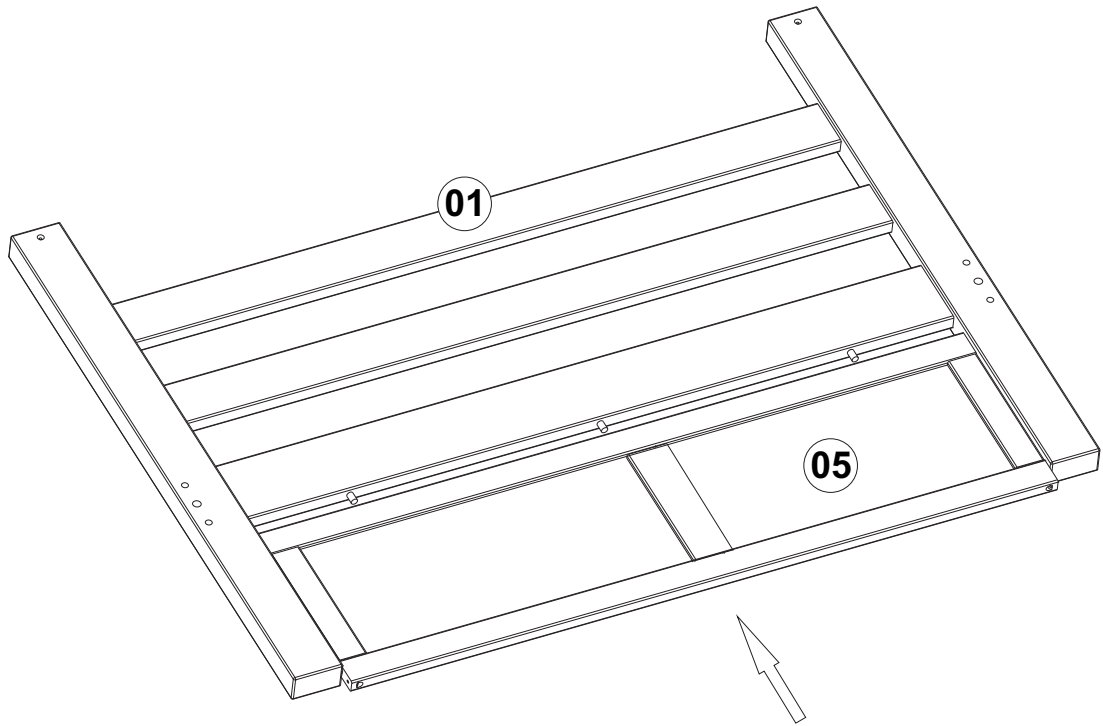


1

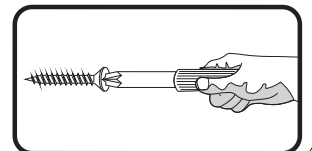
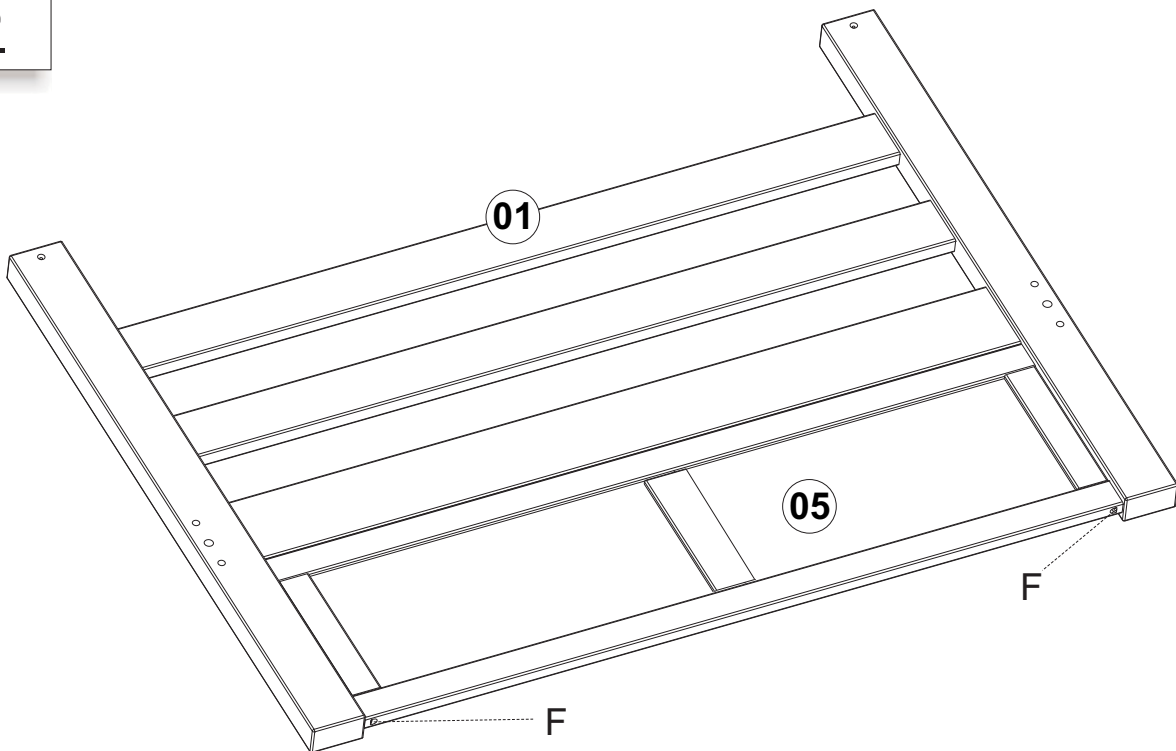


Attach the panel to both bottom Uprights

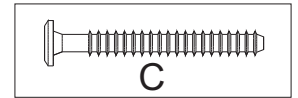
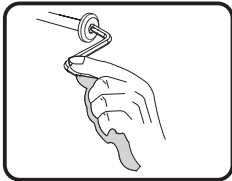
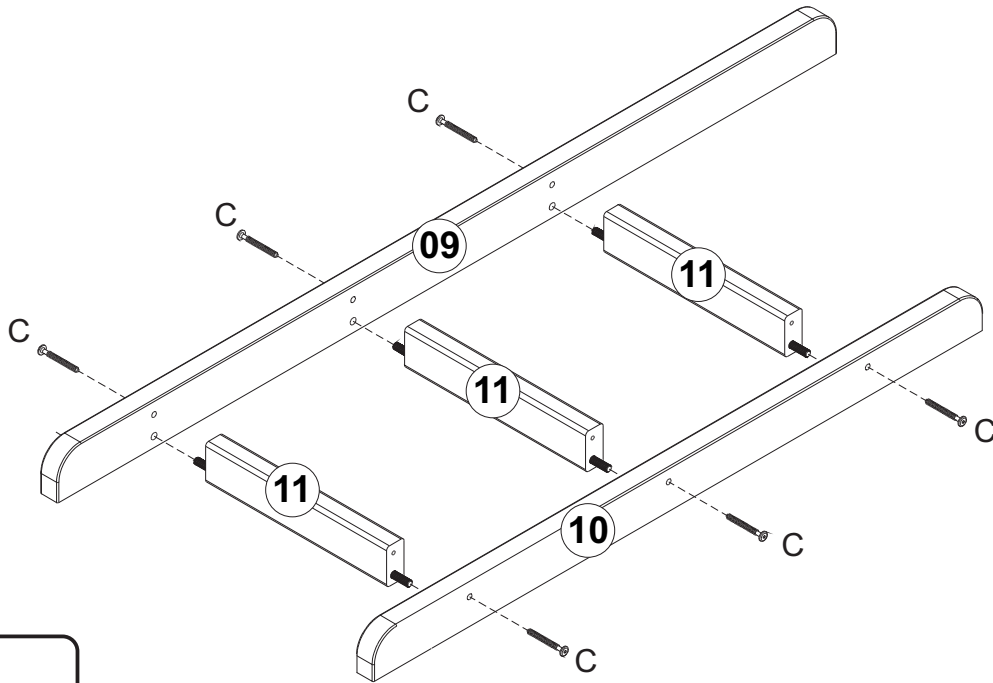
2



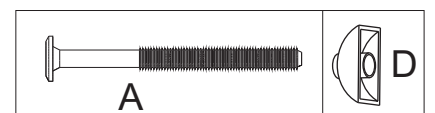
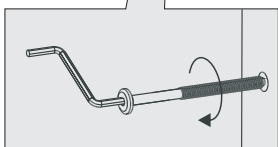
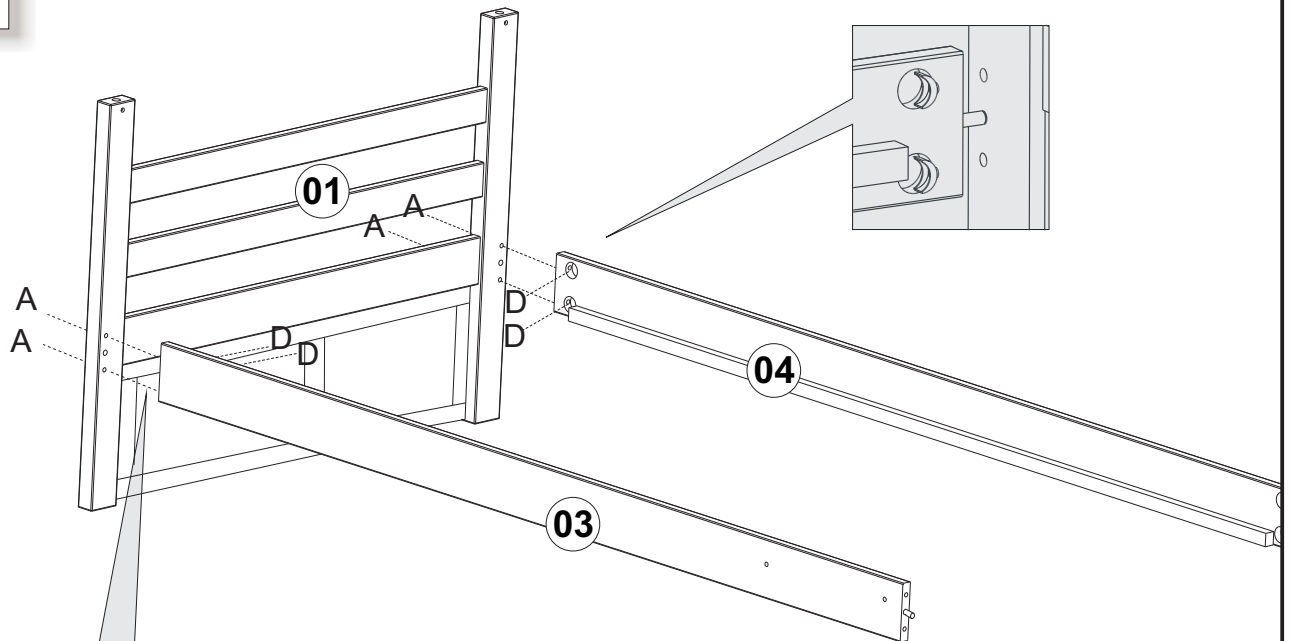
3



4

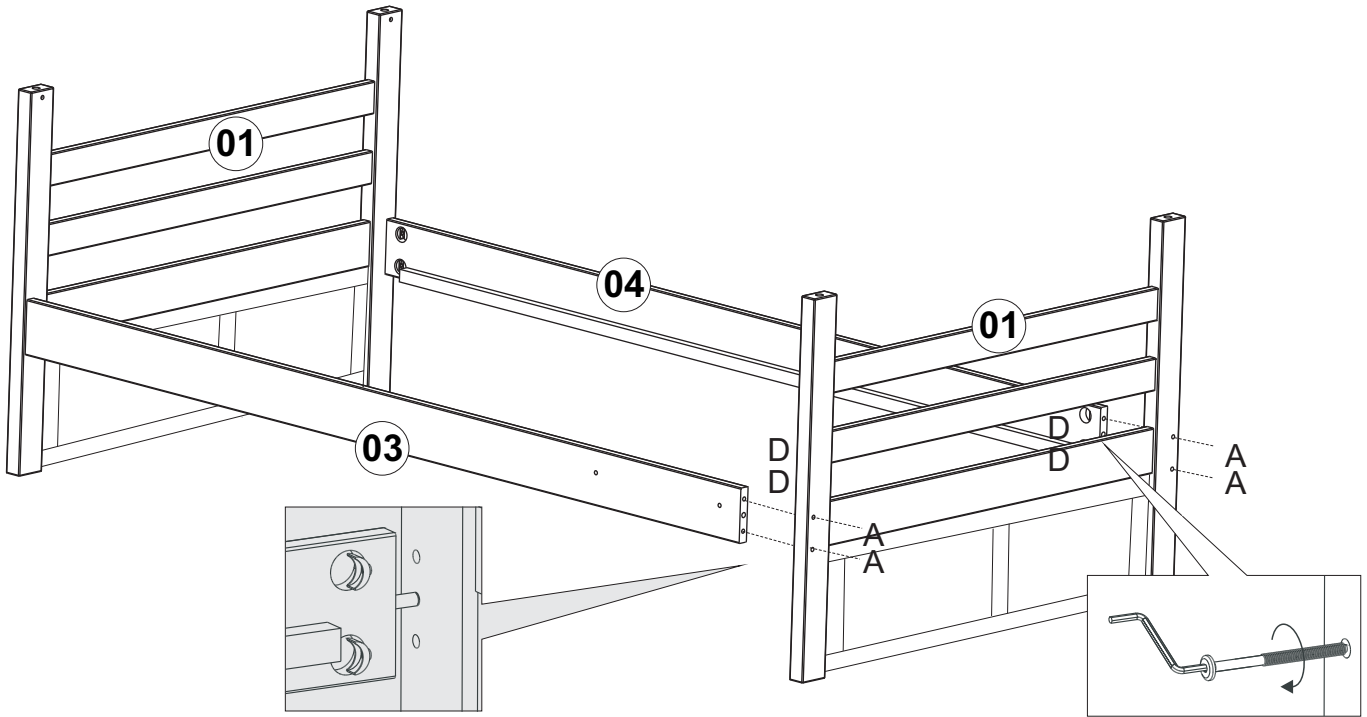
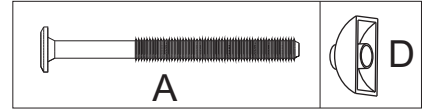


5

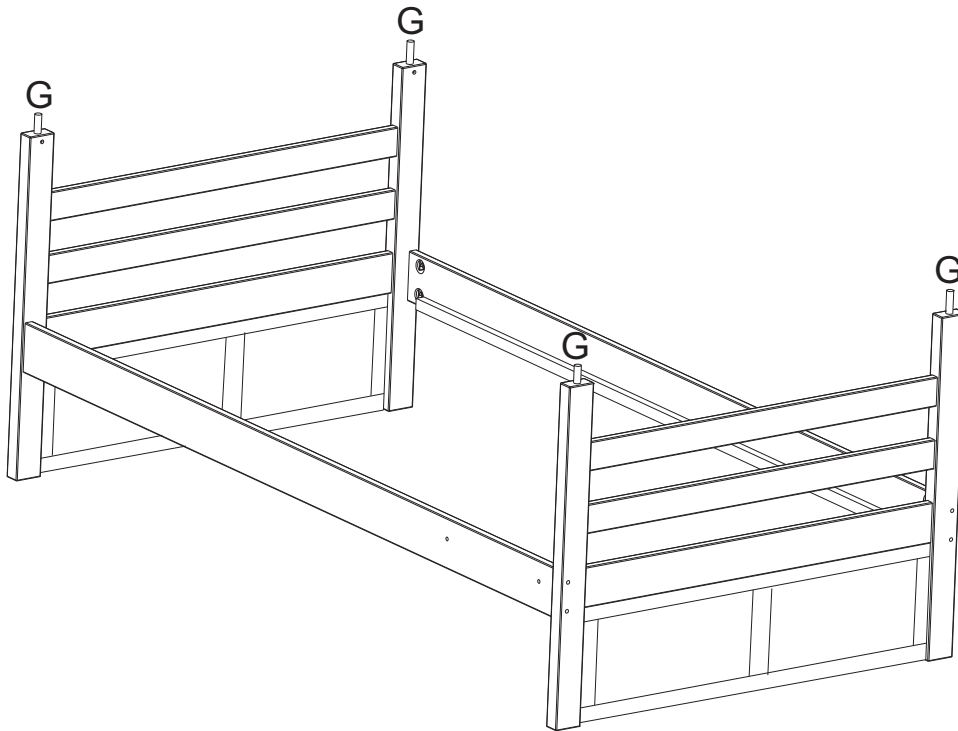


6

Bottom Bed

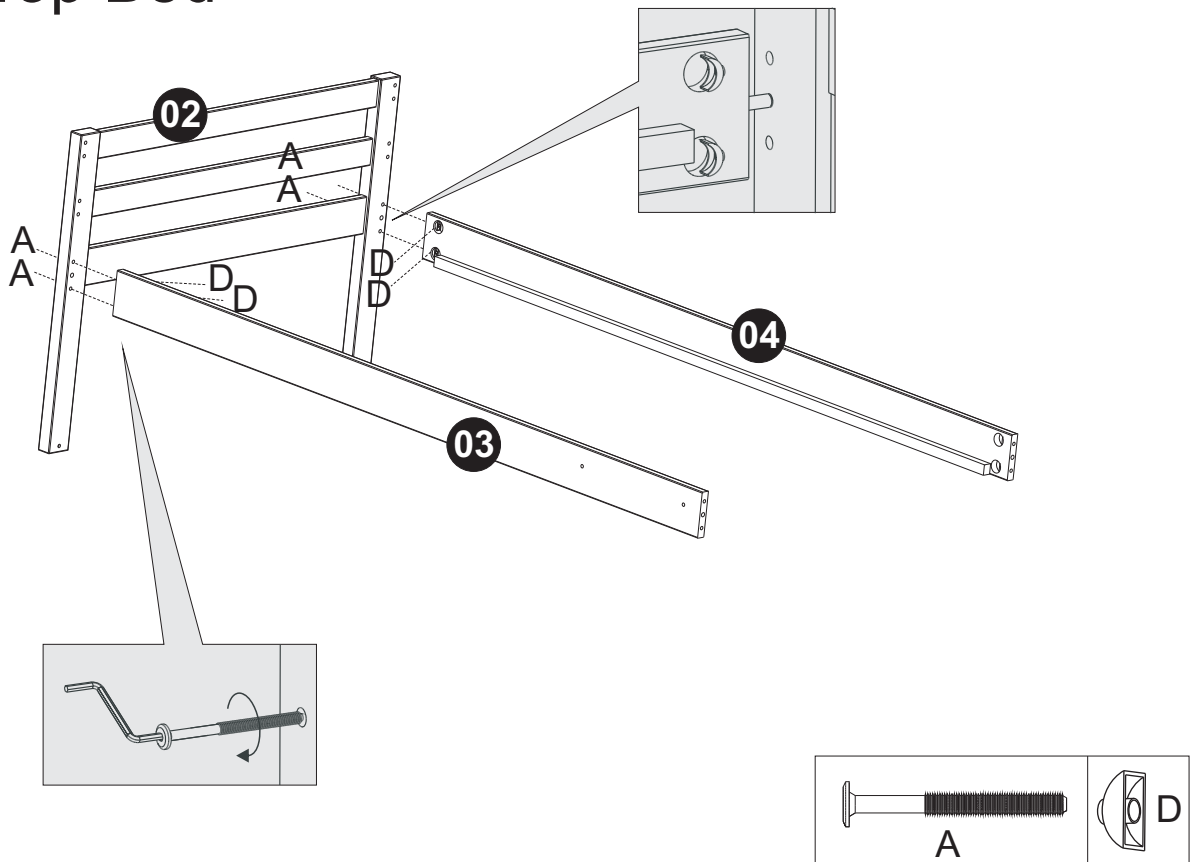


7

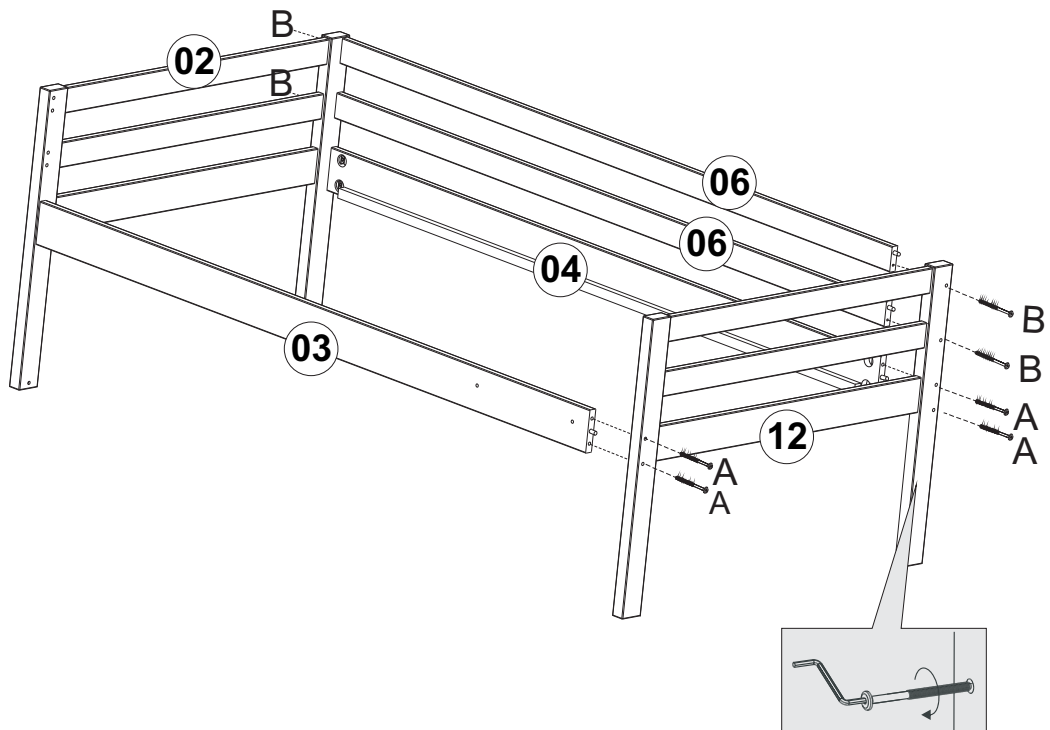


8

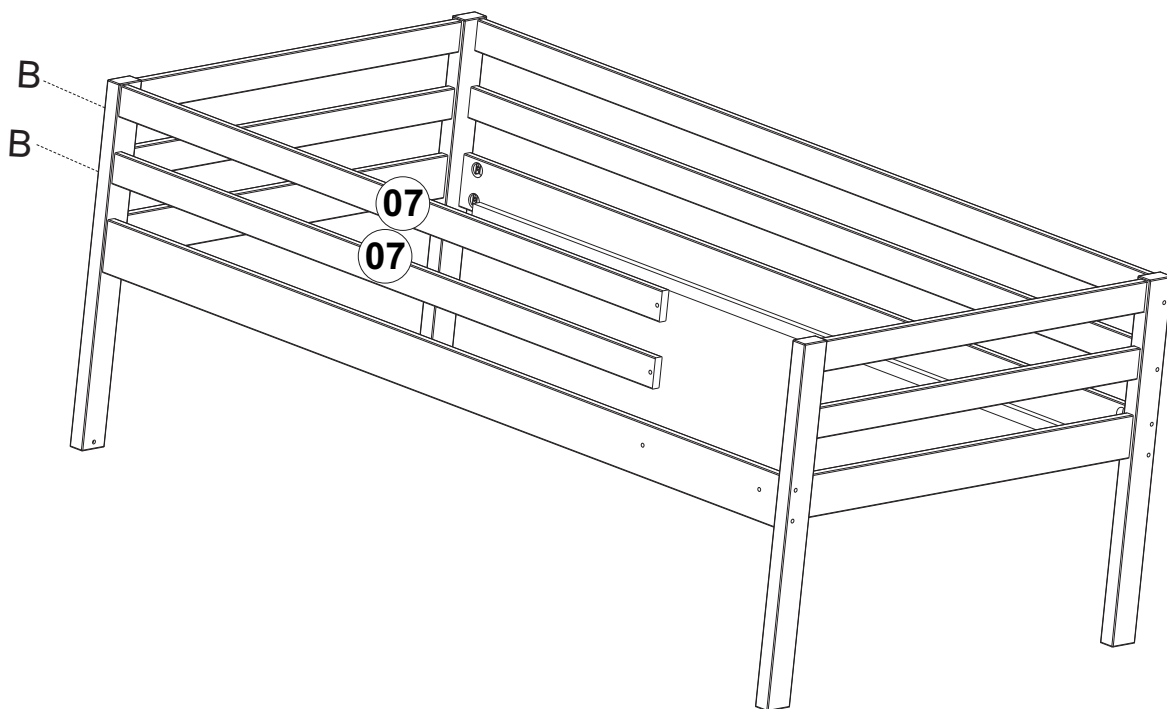
Top Bed



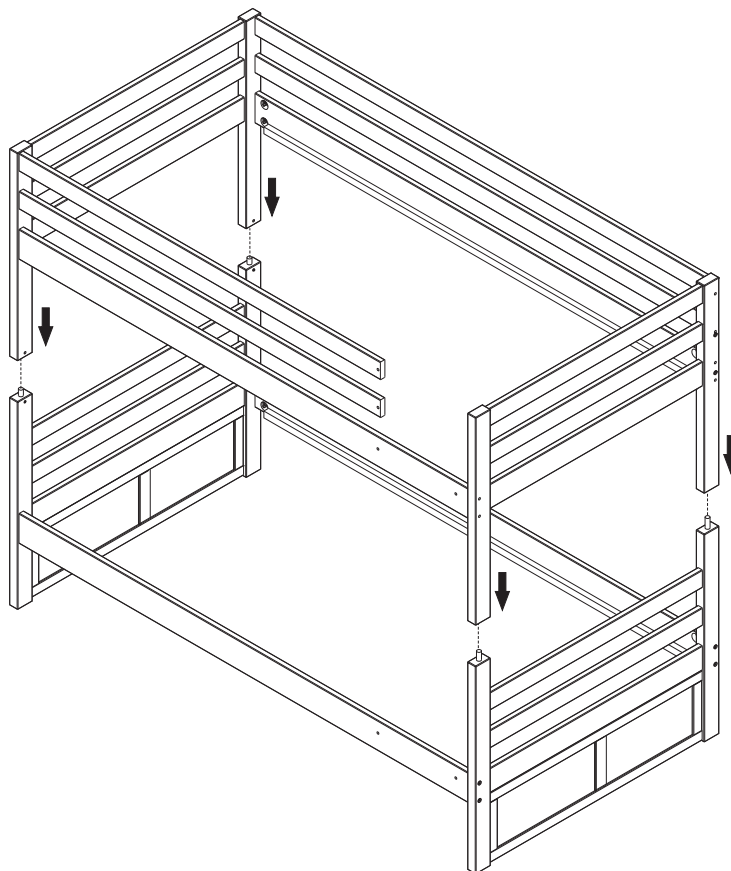
9



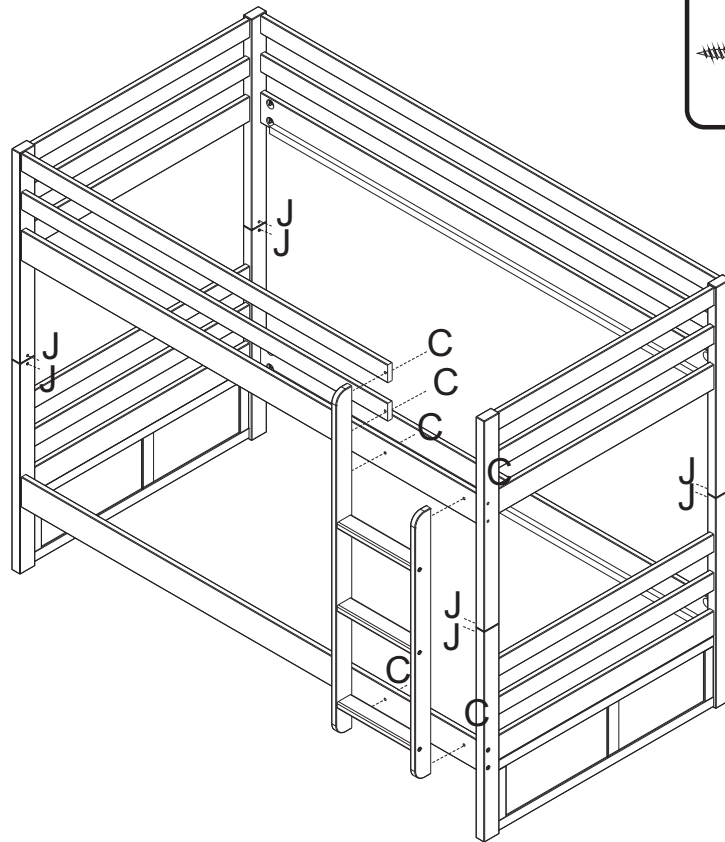
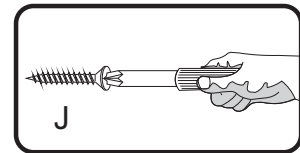
10



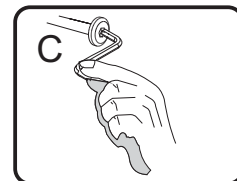
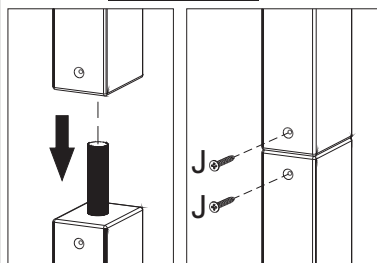
11



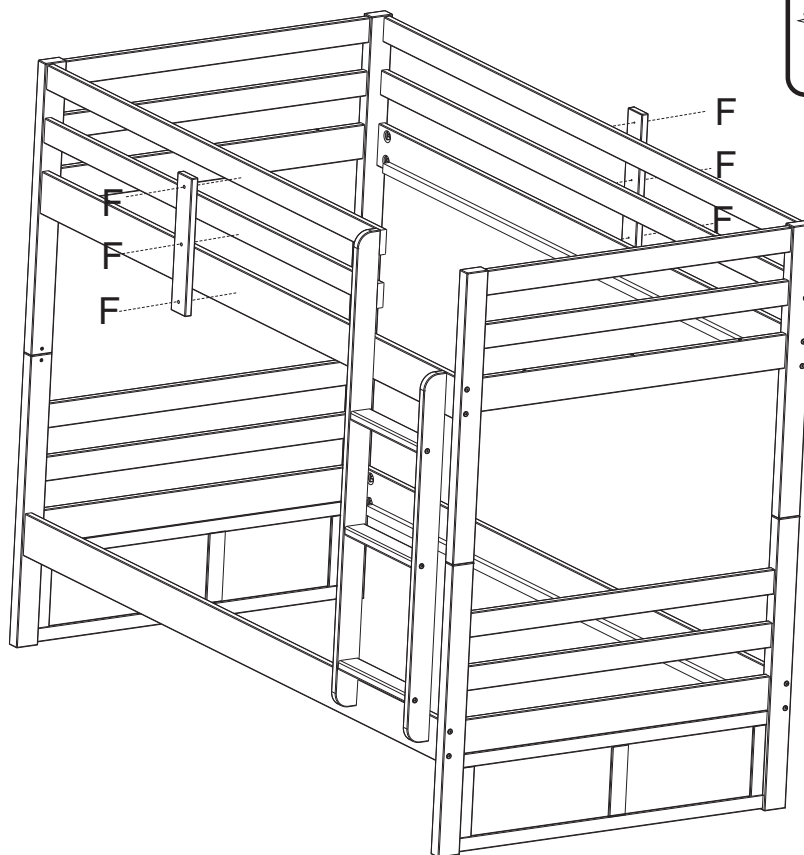
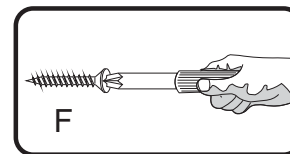
12



DETAIL

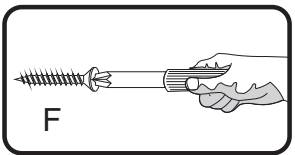


13



14

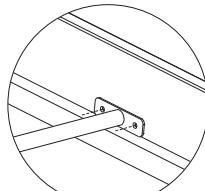
Option "A" with slat kit



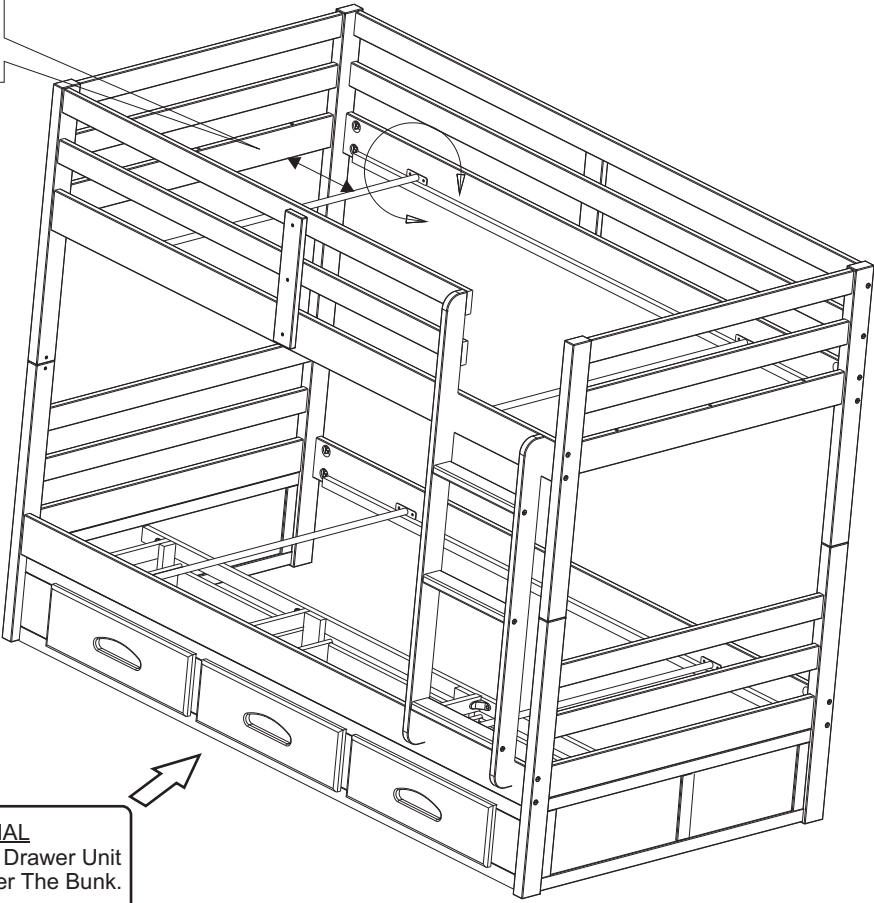
15

Option "B" bunkie ready

Screw metal bars 20" from the end.



(X08)
Metal bar may vary



OPTIONAL
Pre-Assembled 3 Drawer Unit
Simply Slide Under The Bunk.