



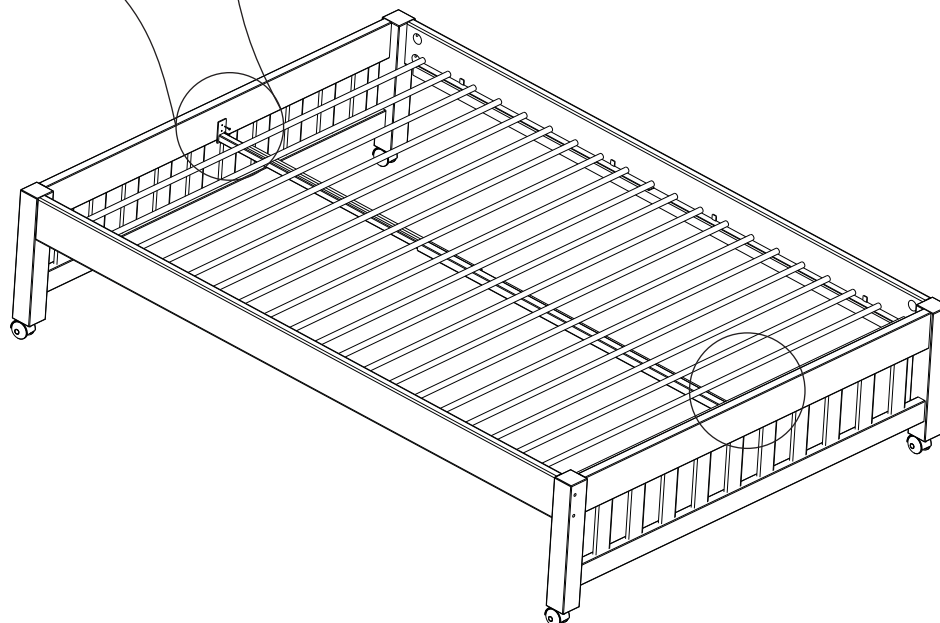
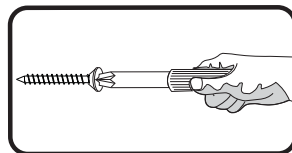
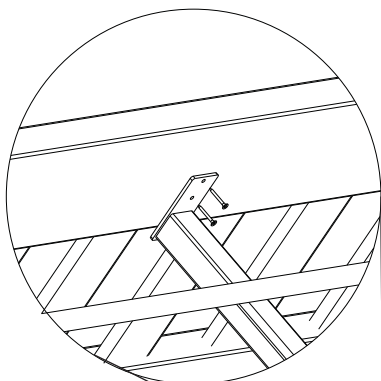
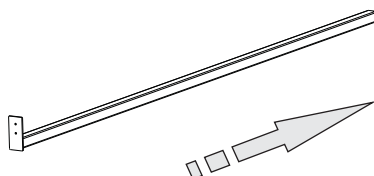
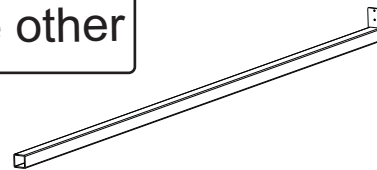
# Metal Center Support assembly

Note: Install metal slat kit first



4

Slide one tube into the other



Hold the center support under the slats, center it on the bed and screw it on both sides using the screws supplied