

FULL FULL BUNK BED ASSEMBLY

STEP #1 (SEE #01 ILLUSTRATION)

INSERT DOWELS (F) INTO BOTH ENDS OF ALL SIDE RAILS.

STEP #2 (SEE #02 ILLUSTRATION)

ATTACH BRACKETS (G) WITH SCREWS (K) ON BOTH TALL HEAD BOARDS AND BOTH SHORT FOOT BOARDS. THE HOLES ARE PRE MARKED AND ASSEMBLE WITH THE OPEN END OF BRACKET UP.

STEP #3 (SEE #03 ILLUSTRATION)

INSERT DOWEL AT THE END OF THE SIDE RAILS INTO THE HEAD BOARD SECTIONS (01) AND TIGHTEN.

STEP #4 (SEE #04 ILLUSTRATION)

INSERT DOWEL AT END OF THE SIDE RAILS INTO THE FOOT BOARD POSTS (02,03) AND START TO TIGHTEN. ATTACH GUARD RAILS WITH NUT (C) AND BOLT (A). FULLY TIGHTEN ALL BOLTS.

STEP #5 (SEE #05 ILLUSTRATION)

INSTALL ONE CENTER BEAM IN THE HEAD BOARD BRACKETS AND ONE CENTER BEAM IN THE FOOT BOARD BRACKETS. CUT OUTS ON ENDS OF CENTER BEAM GO DOWN. BEAM WITH HOLES FOR LEGS GOES ON HEAD BOARD SECTION. ATTACH LEGS WITH DOWEL (F) AND BOLT (L). ATTACH CENTER BEAM TO BRACKETS WITH BOLT (I) AND TIGHTEN WITH NUT (H)

STEP #6 (SEE #06 ILLUSTRATION)

INSTALL ONE SLAT KIT ON THE HEAD BOARD SECTION AND ONE SLAT KIT ON THE FOOT BOARD SECTION. USE NINE SCREWS (D) AND SCREW DOWN FIRST SLAT, LAST SLAT AND THE MIDDLE SLAT. THE FIRST AND LAST SLAT MUST START AT THE BEGINNING OF THE CLEAT OF THE SIDE RAIL. MAXIMUM 3.25" AIR SPACE FROM SLAT TO END OF HEAD AND FOOT BOARDS.

STEP #7 (SEE #07 ILLUSTRATION)

PUT THE BIG DOWELS (E) IN THE HOLES AT THE TOP OF THE HEAD BOARD POSTS. WITH TWO PEOPLE TAKE CARE AND LIFT THE FOOT BOARD SECTION AND INSERT INTO THE DOWELS ON TOP OF THE HEAD BOARDS. HEAVY LIFTING, TAKE CAUTION.

STEP #8 (SEE #08,09 ILLUSTRATION)

FOR THE SMALL GUARD RAIL INSERT DOWELS (F) INTO THE TWO GUARD RAIL BOARDS (08). NOW INSTALL THOSE DOWELS INTO POST (09) AND TIGHTEN WITH BOLT (L). INSTALL THE GUARD RAIL INTO THE FOOT BOARD POST BY INSERTING DOWELS AND TIGHTEN WITH BOLTS (J). ATTACH GUARD RAIL POST WITH TWO SCREWS (D). FOR THE OPPOSITE BUNK POST INSERT THE BOLT (PART A) INTO PART M AND TIGHTEN, AS SHOWN AT BOTTOM OF STEP 09.

SIZE OF MATTRESS

THIS BED IS DESIGNED TO USE A MATTRESS (74" TO 75") LONG AND (52.5" TO 53.5") IN WIDTH AND THE ENCLOSED SLAT KIT SYSTEM. THE TOTAL THICKNESS OF UPPER OR LOWER MATTRESS AND FOUNDATION MUST NOT EXCEED 9.25". NOTE THERE MUST BE AT LEAST 5" FROM MATTRESS SLEEPING SURFACE TO TOP EDGE OF GUARDRAIL.

REPLACEMENT PARTS

REPLACEMENT PARTS, INCLUDING ADDITIONAL GUARD RAILS MAY BE OBTAINED FROM ANY OF OUR INNOVATIONS DEALERS.

SAFETY WARNINGS

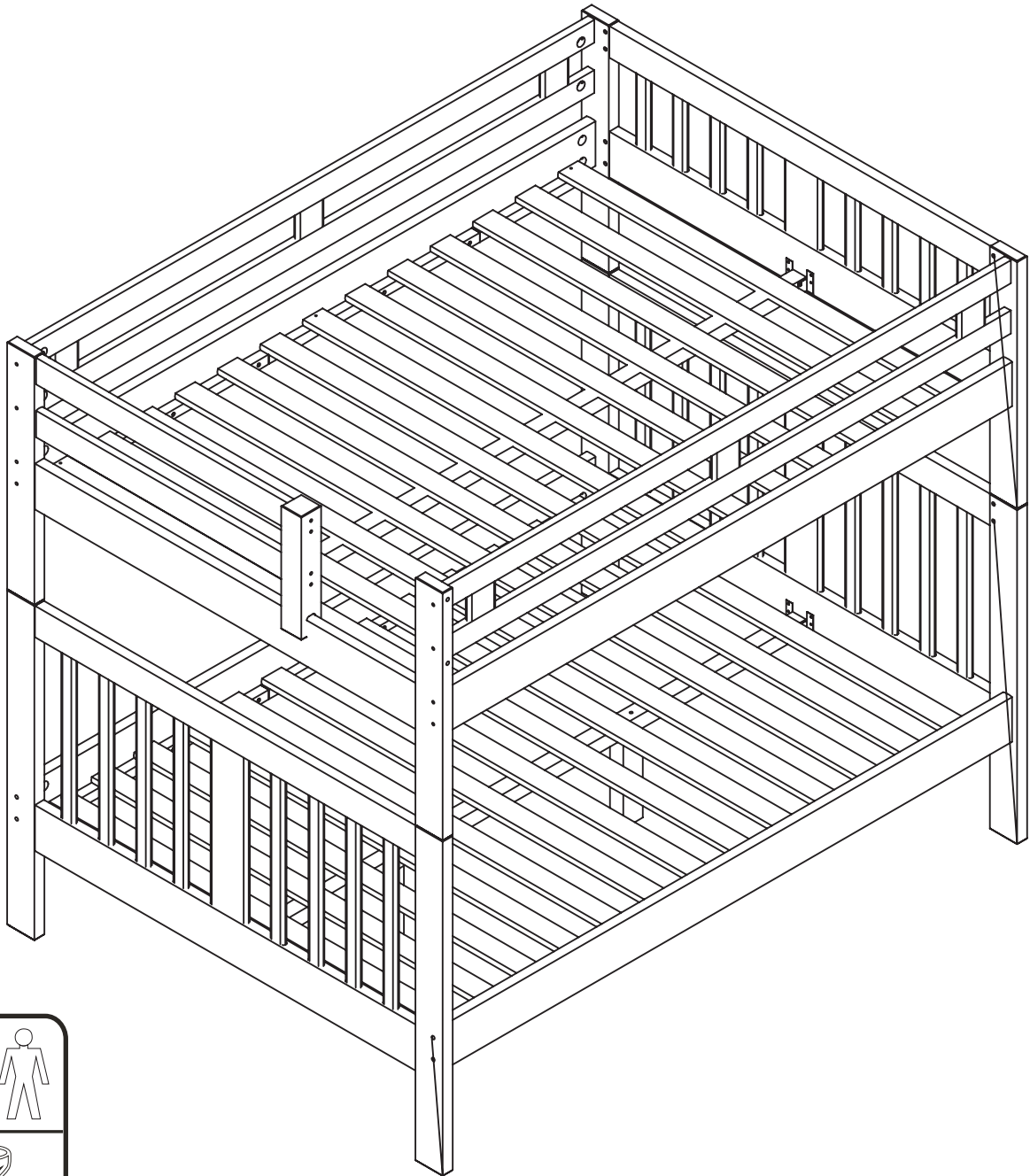
1. FOLLOW THE INFORMATION ON THE WARNINGS APPEARING ON THE UPPER BUNK END STRUCTURE AND ON THE CARTON. DO NOT REMOVE WARNING LABEL FROM BED.
2. ALWAYS USE THE RECOMMENDED SIZE MATTRESS OR MATTRESS SUPPORT, OR BOTH, TO HELP PREVENT THE LIKELIHOOD OF ENTRAPMENT OR FALLS.
3. SURFACE OF MATTRESS MUST BE AT LEAST 5 INCHES BELLOW THE UPPER EDGE OF GUARDRAILS.
4. DO NOT ALLOW CHILDREN UNDER 6 YEARS OF AGE TO USE THE UPPER BUNK.
5. PERIODICALLY CHECK AND ENSURE THAT THE GUARD RAIL, LADDER, AND OTHER COMPONENTS ARE IN THEIR PROPER POSITION, FREE FROM DAMAGE, AND THAT ALL CONNECTORS ARE TIGHT.
6. DO NOT ALLOW HORSEPLAY ON OR UNDER THE BED AND PROHIBIT JUMPING ON THE BED.
7. ALWAYS USE THE LADDER FOR ENTERING OR LEAVING THE UPPER BUNK.
8. DO NOT USE SUBSTITUTE PARTS. CONTACT MANUFACTURER OR DEALER FOR REPLACEMENT PARTS.
9. USE OF A NIGHT LIGHT MAY PROVIDE ADDED SAFETY PRECAUTION FOR A CHILD USING THE UPPER BUNK.
10. ALWAYS USE GUARD RAILS ON BOTH LONG SIDES OF THE UPPER BUNK.
11. IF THE BUNK BED WILL BE PLACED NEXT TO A WALL, THE GUARD RAIL THAT RUNS THE FULL LENGTH OF THE BED SHOULD BE PLACED AGAINST THE WALL TO PREVENT ENTRAPMENT BETWEEN THE BED AND THE WALL.
12. PROHIBIT MORE THAN ONE PERSON ON THE UPPER BUNK.
13. THE USE OF WATER OR SLEEP FLOTATION MATTRESSES IS PROHIBITED.
14. KEEP THESE INSTRUCTIONS FOR FUTURE REFERENCE.

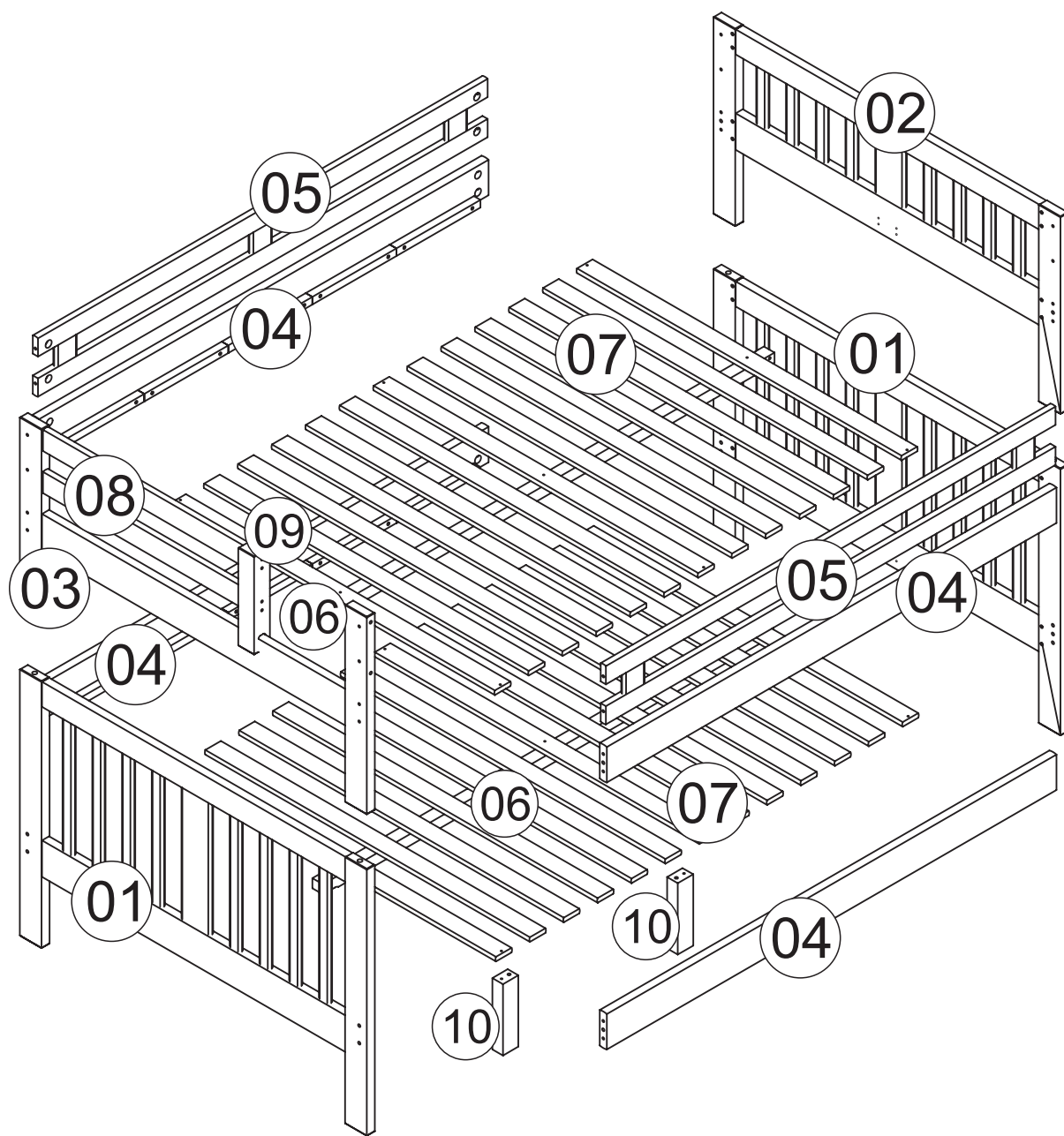
STRANGULATION HAZARD – NEVER ATTACH OR HANG ITEMS TO ANY PART OF THE BUNK BED THAT ARE NOT DESIGNED FOR USE WITH THE BED: FOR EXAMPLE, BUT NOT LIMITED TO HOOKS, BELTS AND JUMP ROPES.

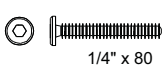

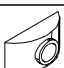
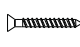
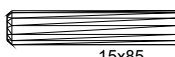
**DONCO TRADING
FORT WORTH, TX**


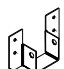

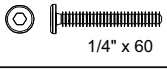
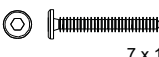
FULL FULL BUNK BED

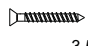
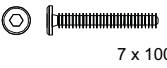
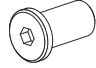
MODEL # 225



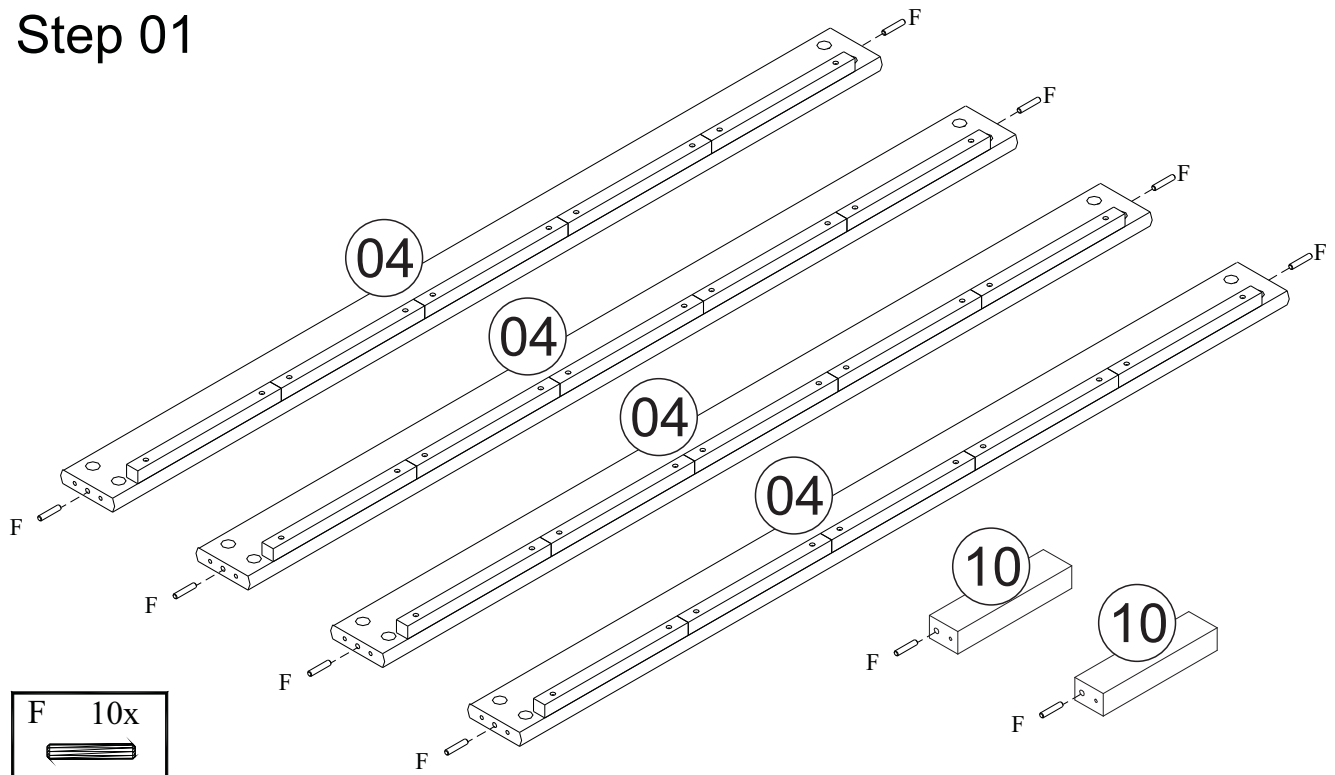


A	 1/4" x 80	26x
B		1x
C		24x
D	 3,5 x 30	20x
E	 15x85	4x

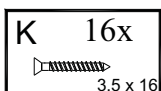
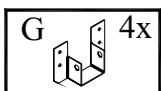
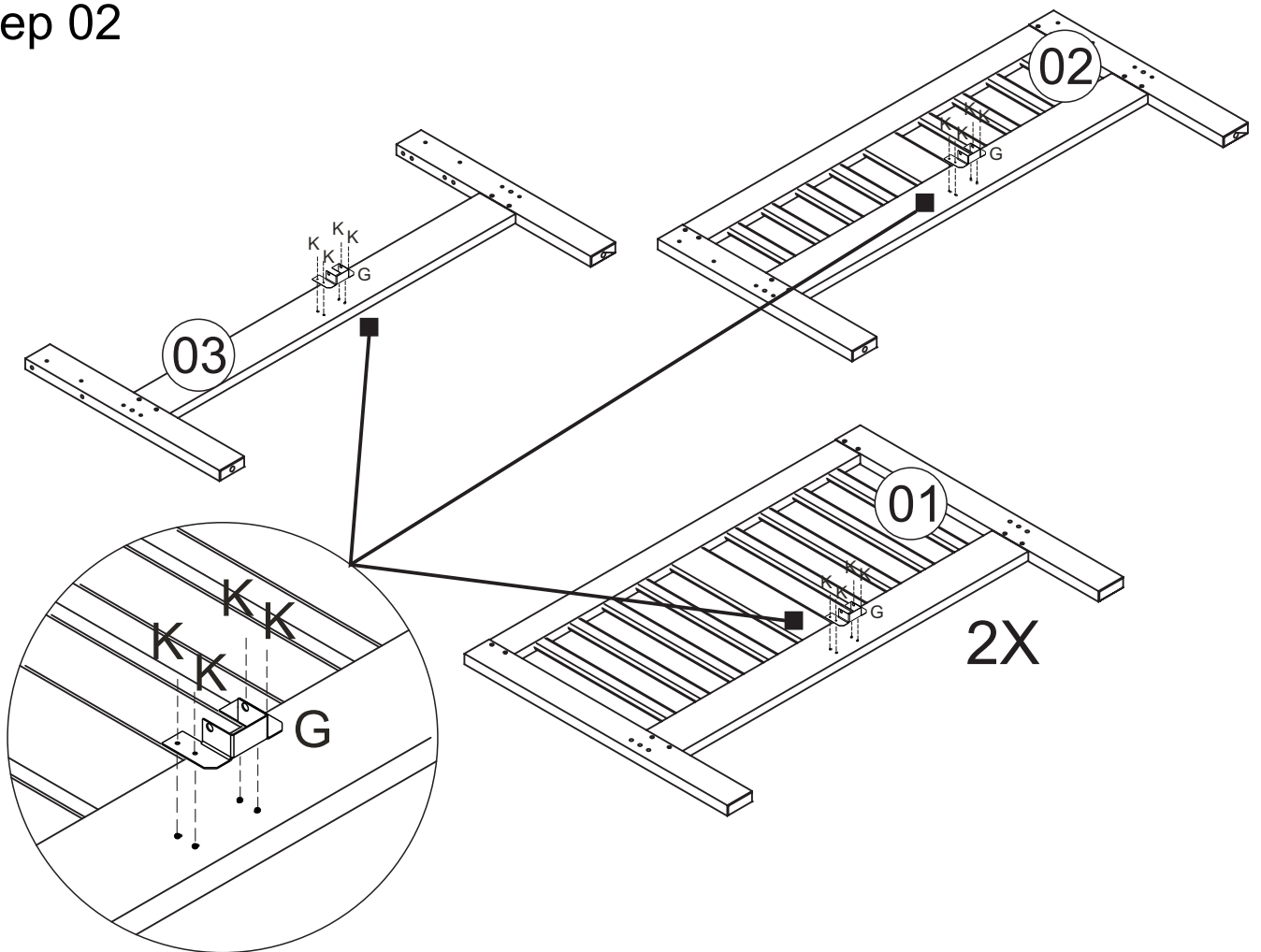
F	 10 x 50	12x
G		04x
H		04x
I	 1/4" x 60	04x
J	 7 x 130	02x

K	 3,5 x 16	16x
L	 7 x 100	06x
M	 ø1/4"	02x

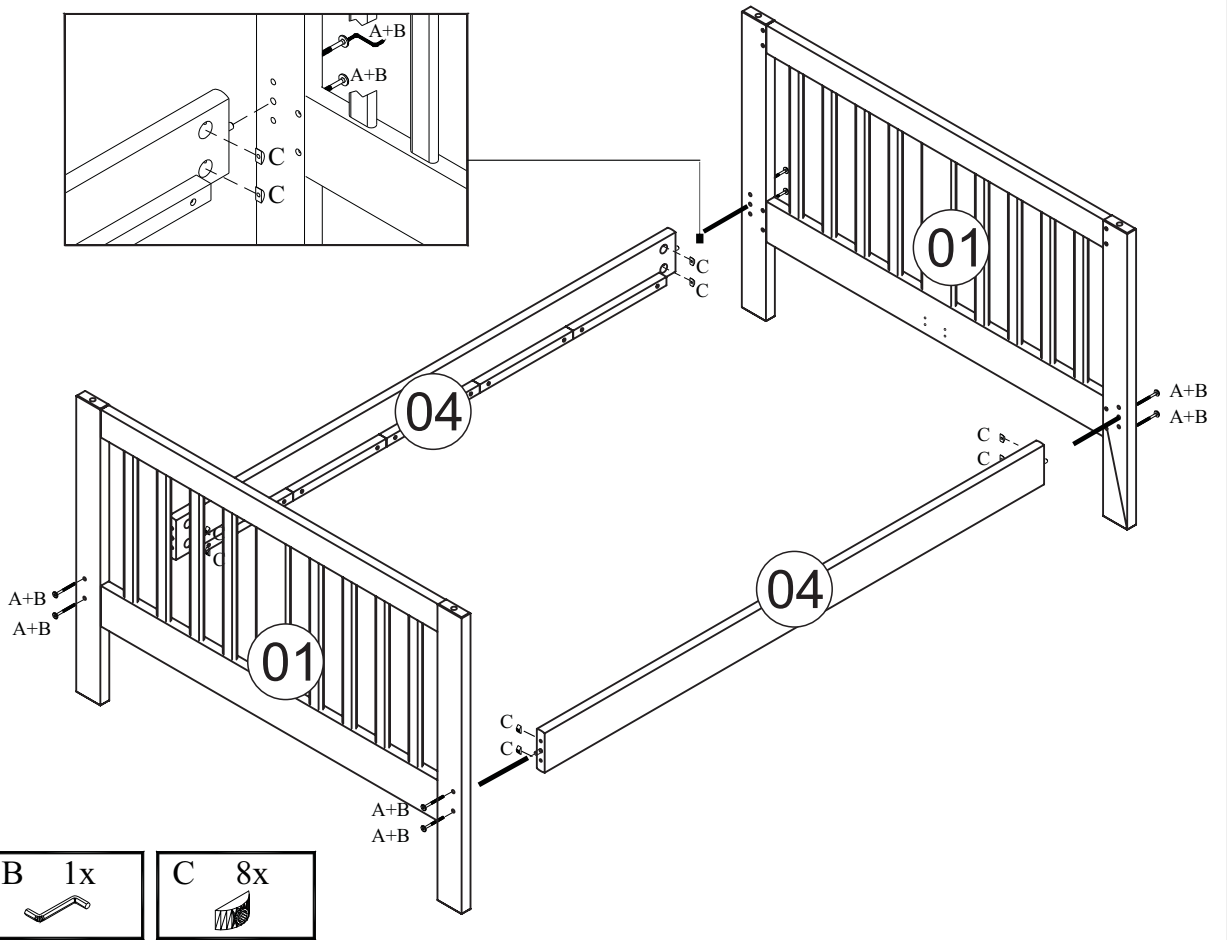
Step 01



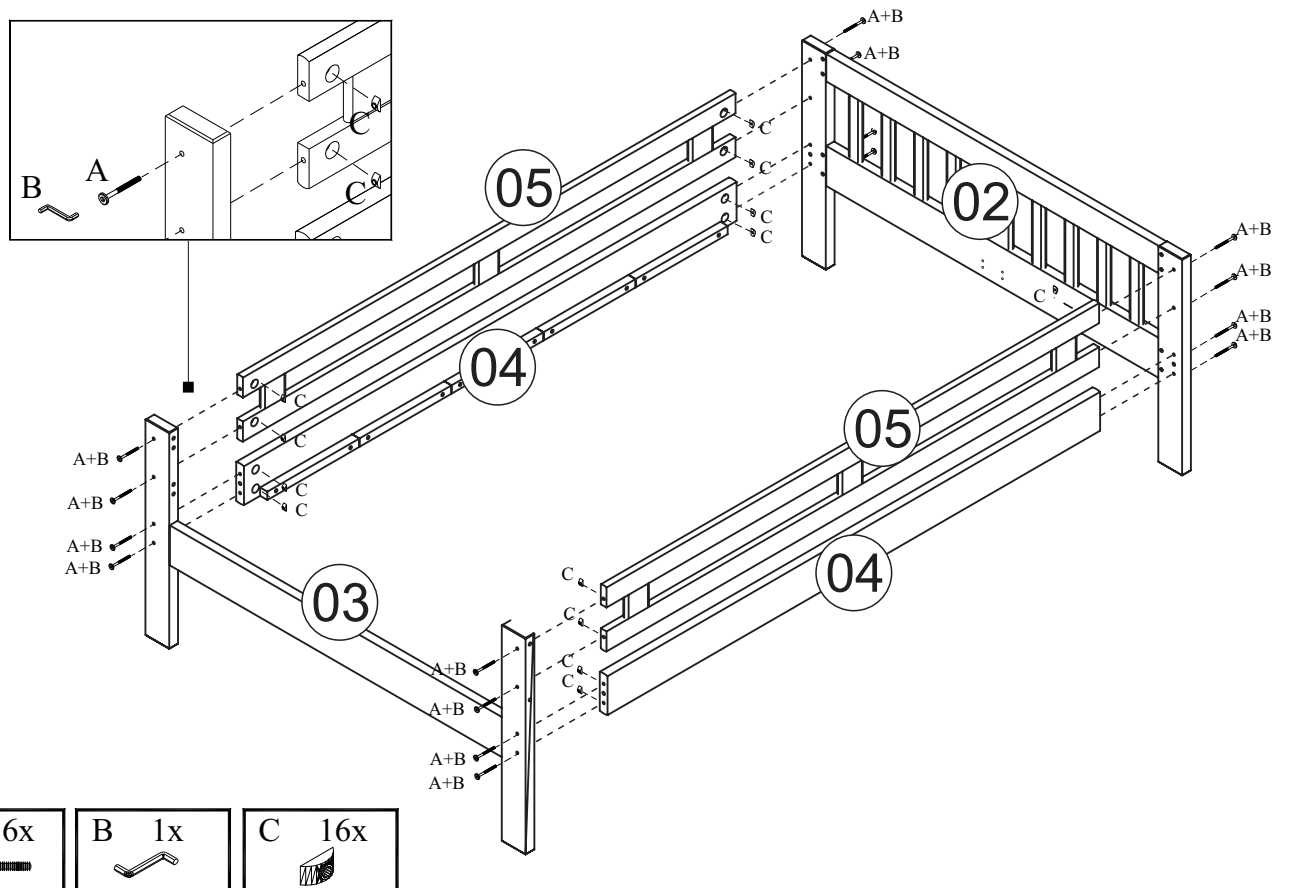
Step 02



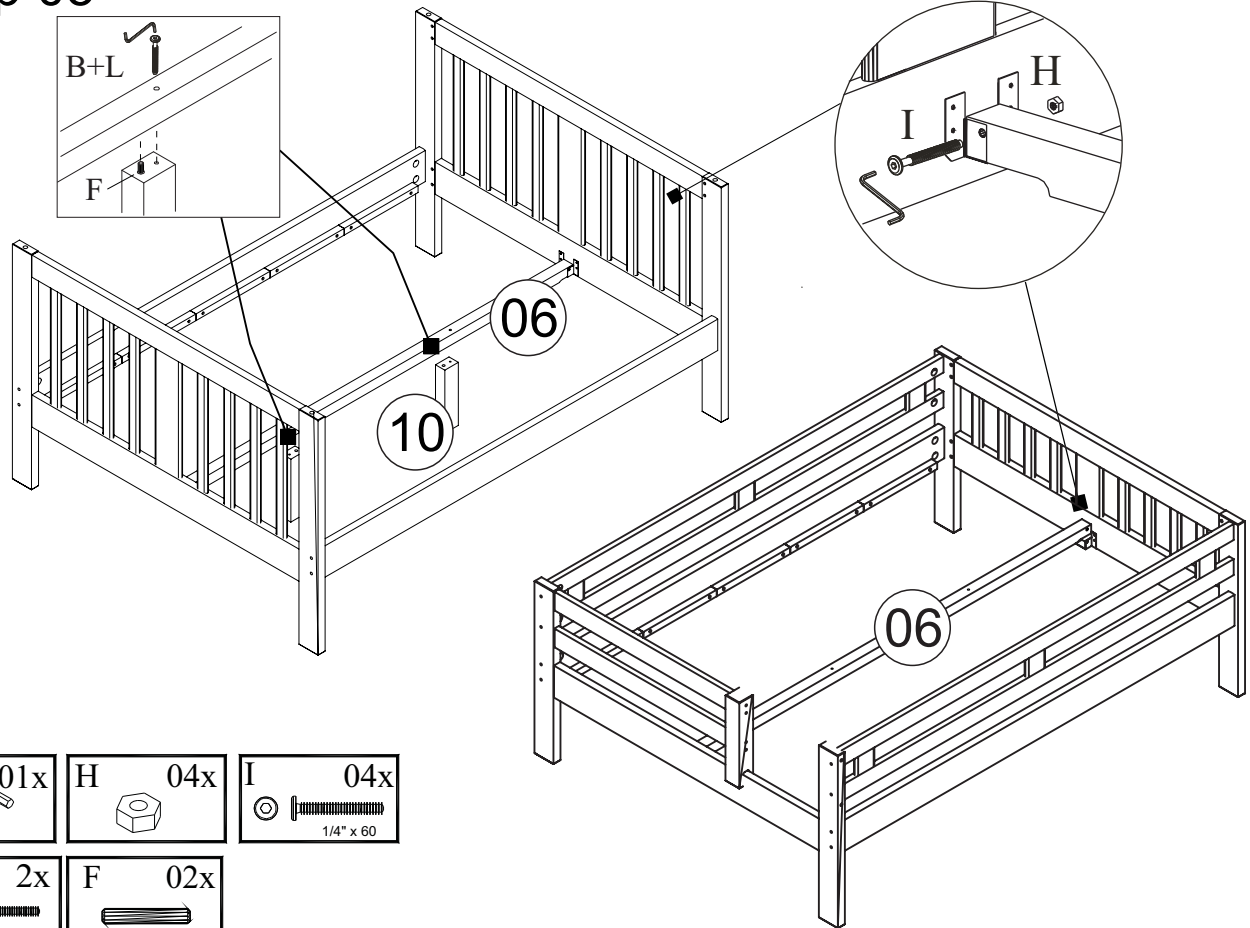
Step 03



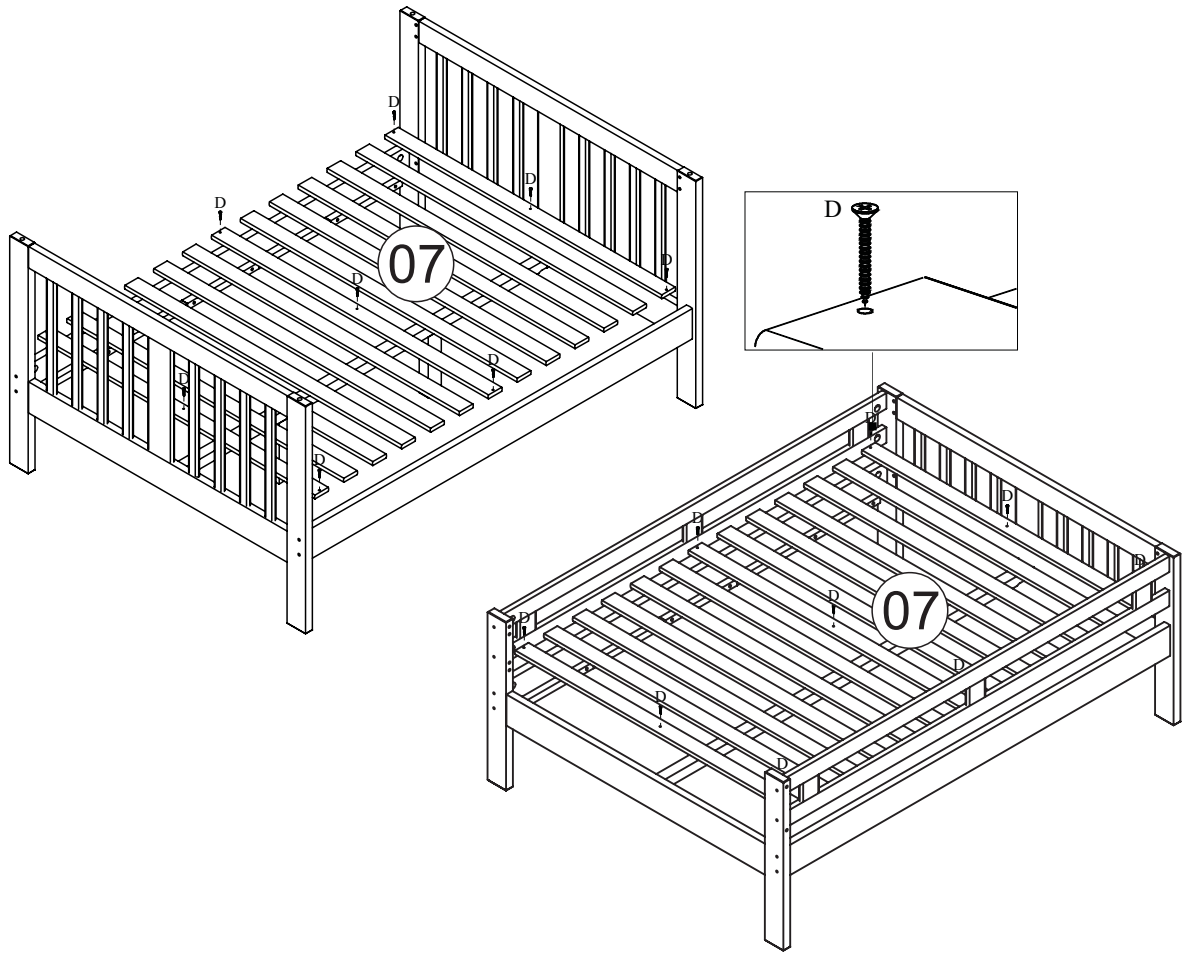
Step 04



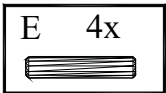
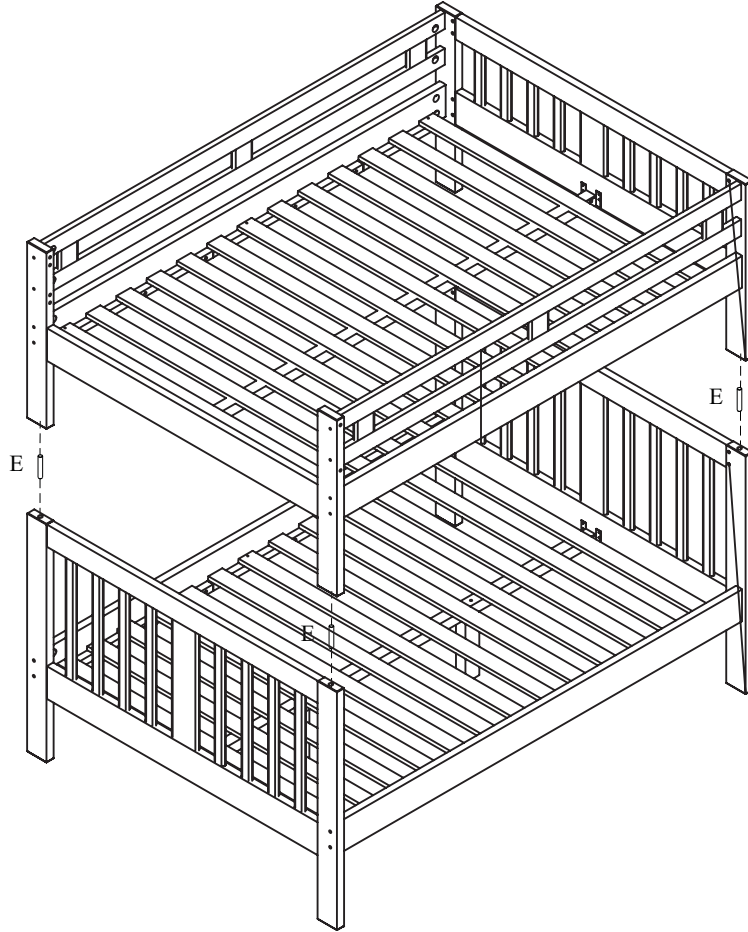
Step 05



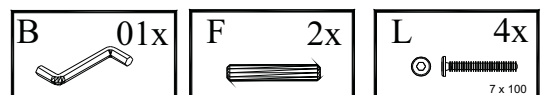
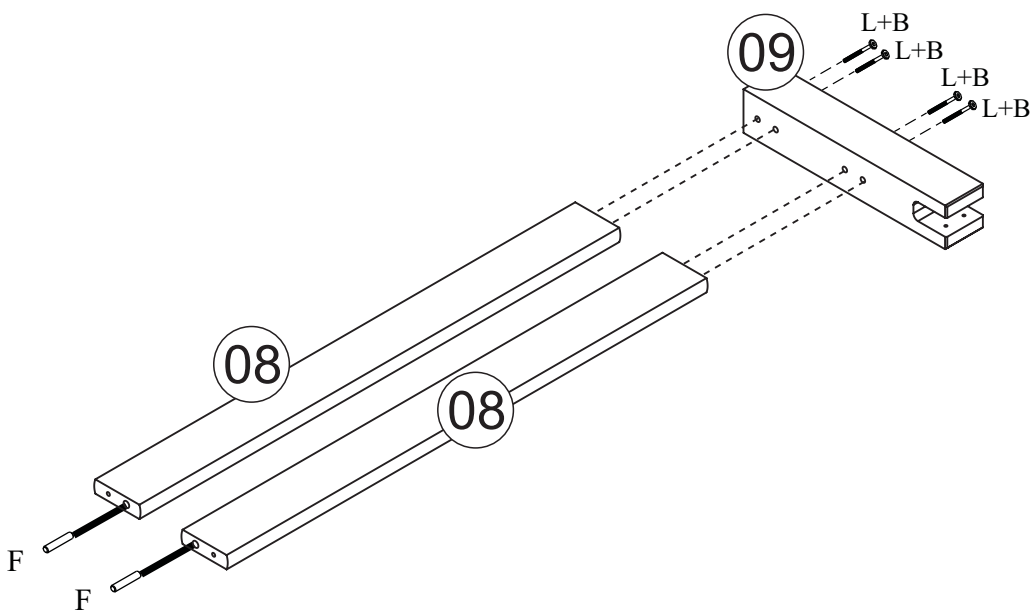
Step 06



Step 07



Step 08



Step 09

