

TWIN/FULL BUNK BED

MODEL#

ASSEMBLY INSTRUCTION





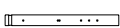


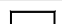


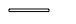




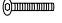












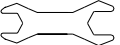
TWIN/FUTON BUNK BED

MODEL#

IMPORTANT

BE SURE TO CHECK ALL PARTS AND HARDWARE IN THE CARTON BEFORE ASSEMBLE.

IF YOU DO NOT HAVE ALL THE PARTS LISTED.CONTACT YOUR SELLER TO SUPPLY THE MISSING PARTS.

PART CODE	FIGURE	PARTS DESCRIPTION	QTY	PART CODE	FIGURE	PARTS DESCRIPTION	QTY
A	 L=825	BOTTOM SUPPORT LEG (WOOD)	4PCS	M		LEFT TRANSMISSION	1PC
B	 L=760	TOP SUPPORT LEG (WOOD)	4PCS	N		RIGHT TRANSMISSION	1PC
C		TOP SIDE FRAME	2PCS	□		HOOK	2PCS
D		BOTTOM SIDE FRAME	2PCS	P		BOLT 1/4 * x80mm	12PCS
E		REINFORCED STEEL	4PCS	Q		BOLT 1/4 * x43mm	1PC
F		BUNK LADDER	1PC	R		BOLT 1/4 * x20mm	41PCS
G		TOP BUNK SUPPORT	1PC	S		BOLT 5/16 * x40mm	2PCS
H		GUARD RAIL	2PCS	T		BOLT 5/16 * x45mm	8PCS
I		CROSS BAR	2PCS	U		NUT 5/16 *	14PCS
J		BACK FRAME	1PC	V		BIG WASHER	18PCS
K		SEAT FRAME	1PC	W		SEMI- WASHER	8PCS
L		BEARING LEG	1PC	X		GLIDES	4PCS
				Y		BOLT 5/16 * x32mm	4PCS
				 ALLEN KEY & WRENCH PROVIDED			

RECOMMENDED MATTRESS

TWIN SIZE: 75" × 39" × 6" , FULL SIZE: 75 × 54" × 6"

*IT IS RECOMMENDED THAT A SPANNER & A SCREW DRIVER (NOT PROVIDED) TO BE USED IN THE ASSEMBLY.

REPLACEMENT PARTS

REPLACEMENT PARTS MAY BE OBTAIN FROM DEALER.PLEASE CONTACT YOUR DEALER.

NOTE: PLEASE REQUEST ALL REPLACEMENT PARTS BY THEIR CODED PART LETTER & NAME.

LIMITED WARRANTY

REQUEST FOR PARTS MUST BE RECEIVED WITHIN 30 DAYS OF PURCHASE AFTER 90 DAYS APPROPRIATE CHARGE MAY APPLY.

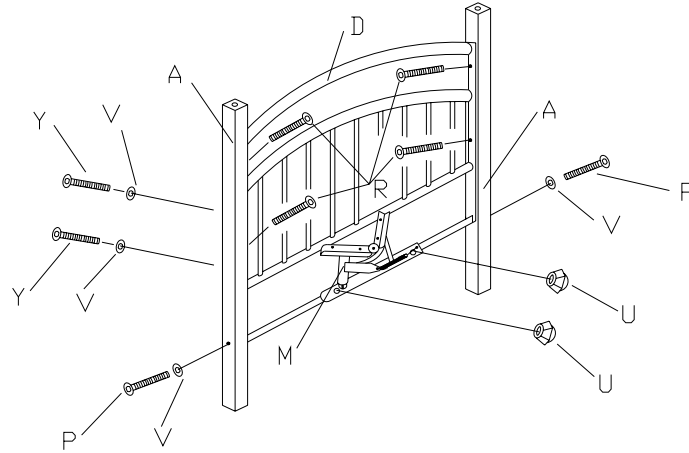


DIAGRAM 1:

ATTACH 2PCS BOTTOM SIDE FRAMES(D) TO 4PCS BOTTOM SUPPORT LEGS(A) USING BOLT(Q). WASHER(V) AND TIGHTEN WITH BOLT(R) INSIDE AS SEEN ON DIAGRAM THEN MAKE UP 2PCS BOTTOM SIDE FRAMES COMPLETELY.

ATTACH LEFT & RIGHT TRANSMISSION(M), (N) TO BOTH LEFT & RIGHT SIDE FRAME BOTTOM(D) WITH BOLT(Y), WASHER(V) AND NUT(U).

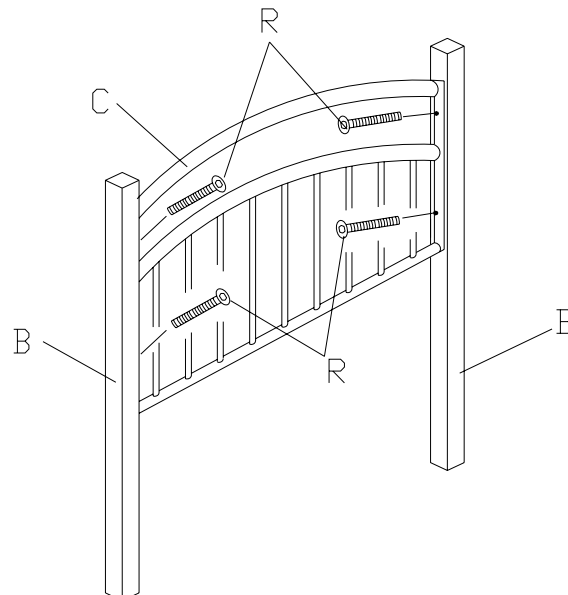


DIAGRAM 2:

ATTACH 2PCS TOP SIDE FRAME(C) TO 4PCS TOP SUPPORT LEGS(B) USING BOLT(R) AND MAKE UP 2PCS TOP SIDE FRAMES COMPLETELY.

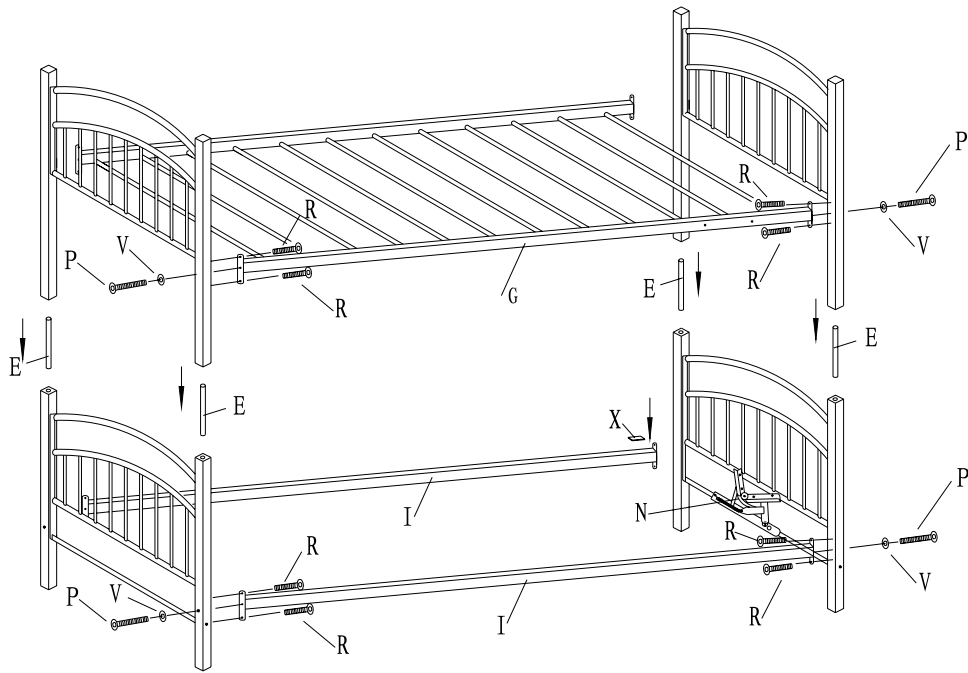


DIAGRAM 3:

ATTACH 2PCS CROSS BARS(I) TO THE BOTTOM OF FRAME(D) USING BOLT(P) WASHER(V) THEN TIGHTEN WITH BOLT(R).PUT 4PCS GLIDES(X) ON FRONT AND BACK BAR(I) AS SEEN ON DIAGRAM.

INSERT 4PCS REINFORCED STEELS(E) INTO THE END OF LEFT & RIGHT SIDE FRAME BOTTOM(D) THEN INSERT BOTH TOP SIDE FRAMES(C) INTO THE REINFORCED STEELS(E).ATTACH TOP BUNK SUPPORT(G) TO THE TOP SIDE FRAME(C) USING BOLT(P)、WASHER(V) AS SEEN ON DIAGRAM THEN TIGHTEN WITH BOLT(R).

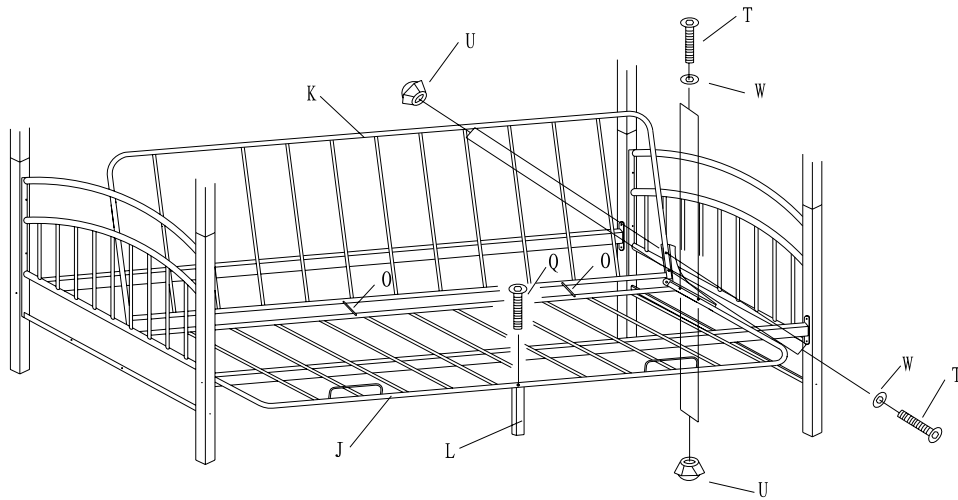


DIAGRAM 4:

PLACE BACK & SEAT FUTON FRAME(K)、(J) ON LEFT& RIGHT TRANSMISSION(M)、(N) TIGHTEN WITH BOLT(T)、SEMI-WASHER(W) AND NUT(U).ATTACH BEARING LEG(L) TO THE MIDDLE OF SEAT FRAME(K) WITH BOLT(Z).CONNECT BACK AND SEAT FUTON FRAME(K)、(J) WITH HOOK(O).

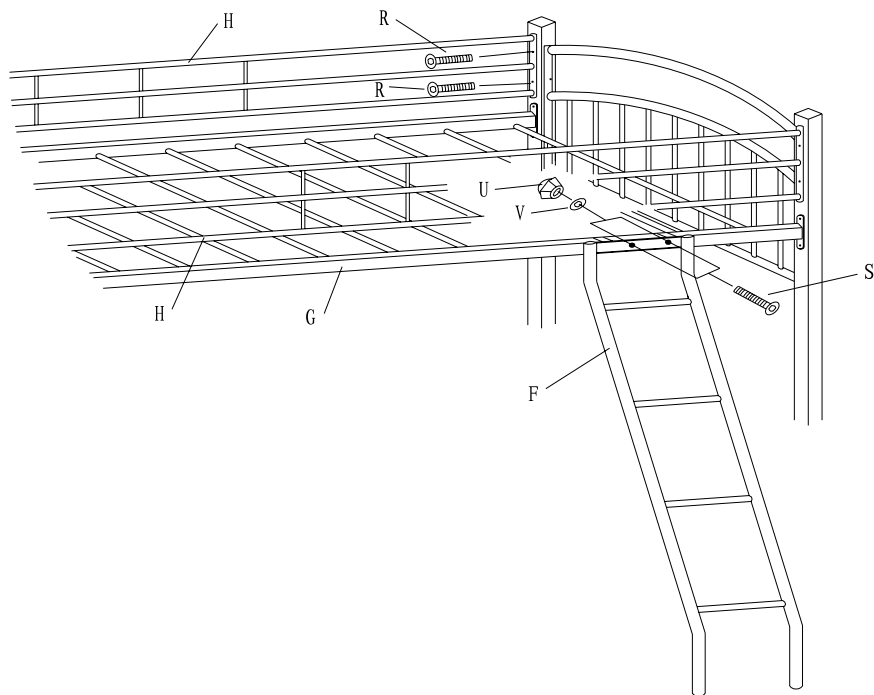


DIAGRAM 5:

ATTACH BOTH GUARD RAILS(H) TO THE LEFT & RIGHT SIDE FRAME TOP(C) USING BOLT(R).HOOK LADDER(F) ON THE TOP BUNK SUPPORT(A) TIGHTEN WITH BOLT(S)、WASHER(V) AND NUT(U).

SAFETY PRECAUTION AND WARNING FOR BUNK BEDS

- A. Follow the information on the warnings appearing on the upper bunk end structure and on the carton, **“DO NOT REMOVE THIS LABEL”**
- B. Always use the recommended size mattress or mattress support, or both, to help prevent the likelihood of entrapment of falls. Use only mattress.

TWIN—74" —75" ×37 ½" —38 ½"

FULL—74" —75" ×53" —54"

When centered mattress, must be no more than 1" at any point from the interior bed structure.

- C. Ensure thickness of mattress does not exceed 6" , and surface of mattress must be at least 5" (127mm) below the upper edge of guardrails.
- D. **DO NOT** allow children under 6 years of age to use the upper bunk.
- E. Periodically check and ensure that the guardrails, ladder and other components are in their proper position, free from damage and make sure all connections are tighten properly.
- F. **DO NOT** allow horseplay on or under the bed and prohibit jumping on the bed.
- G. Always use the ladder for entering and leaving the upper bunk.
- H. **DO NOT** use substituted parts, Contact SELLER for replacement parts.
- I. Prohibit more than one person on upper bunk.
- J. Use a night light as an added safety precaution for a child using the upper bunk.
- K. Always use guardrails on both long sides of the upper bunk.
- L. The use of water or sleep floatation mattress is prohibited.
- M. **KEEP THESE INSTRUCTIONS FOR FUTURE REFERENCES.**