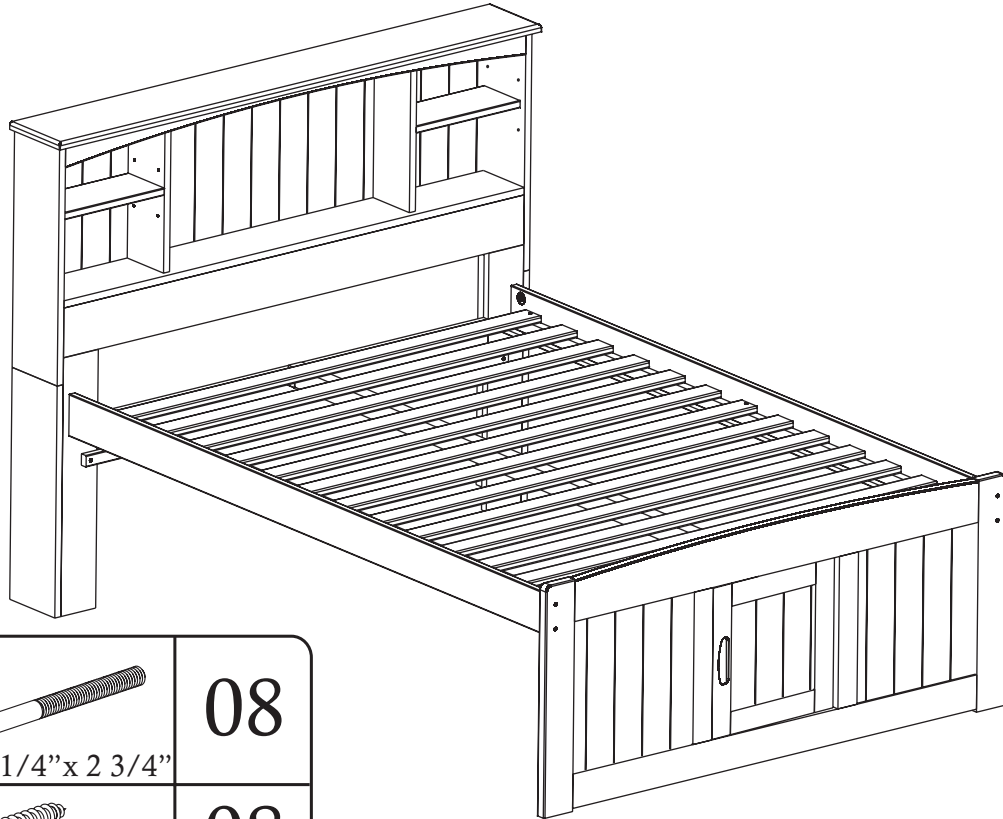
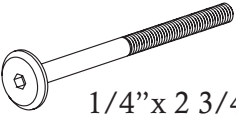
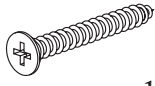
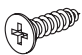
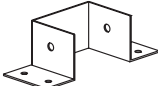
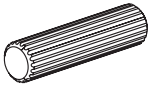
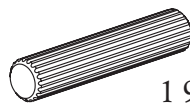
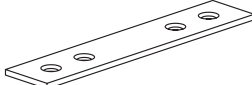
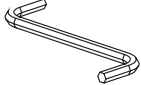

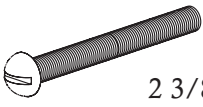
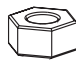
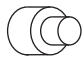




2121-2821 Bookcase Captain's Bed Full



A	 1/4" x 2 3/4"	08
B	 1 3/16"	08
C	 9/16"	16
D		02
E	 1 9/16"	10
F	 1 9/16"	04
G		02

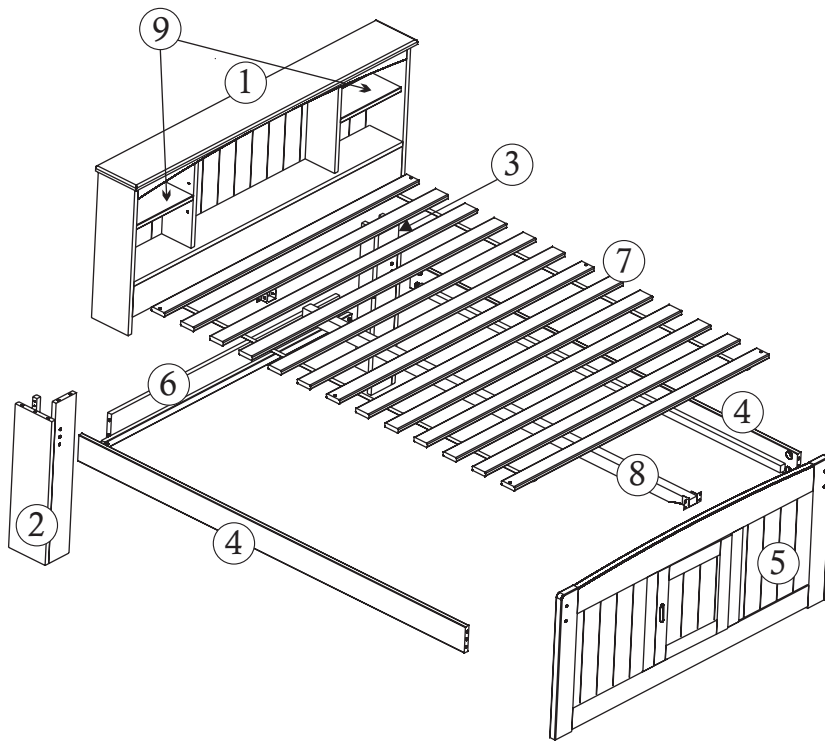
H		01
I		08
J	 2 3/8"	02
K		02
L		08

WARRANTY

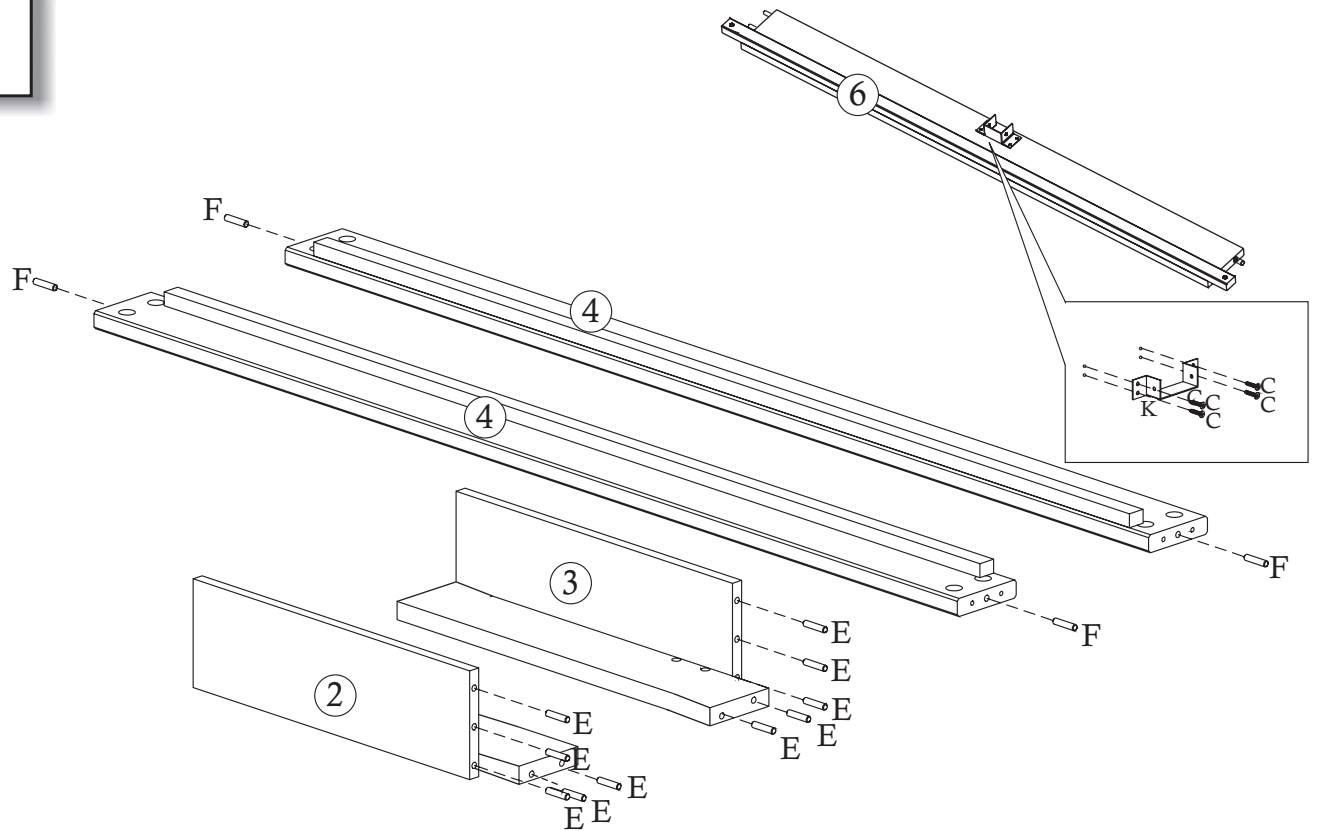
Replacement Parts & Limited Lifetime Warranty

Discovery World Furniture will replace any component part free of charge for 1 full year via UPS freight collect. In addition, Discovery World Furniture will replace any component part for 50% of the then prevailing retail price plus freight for the lifetime of the product. For service, mail your request to:

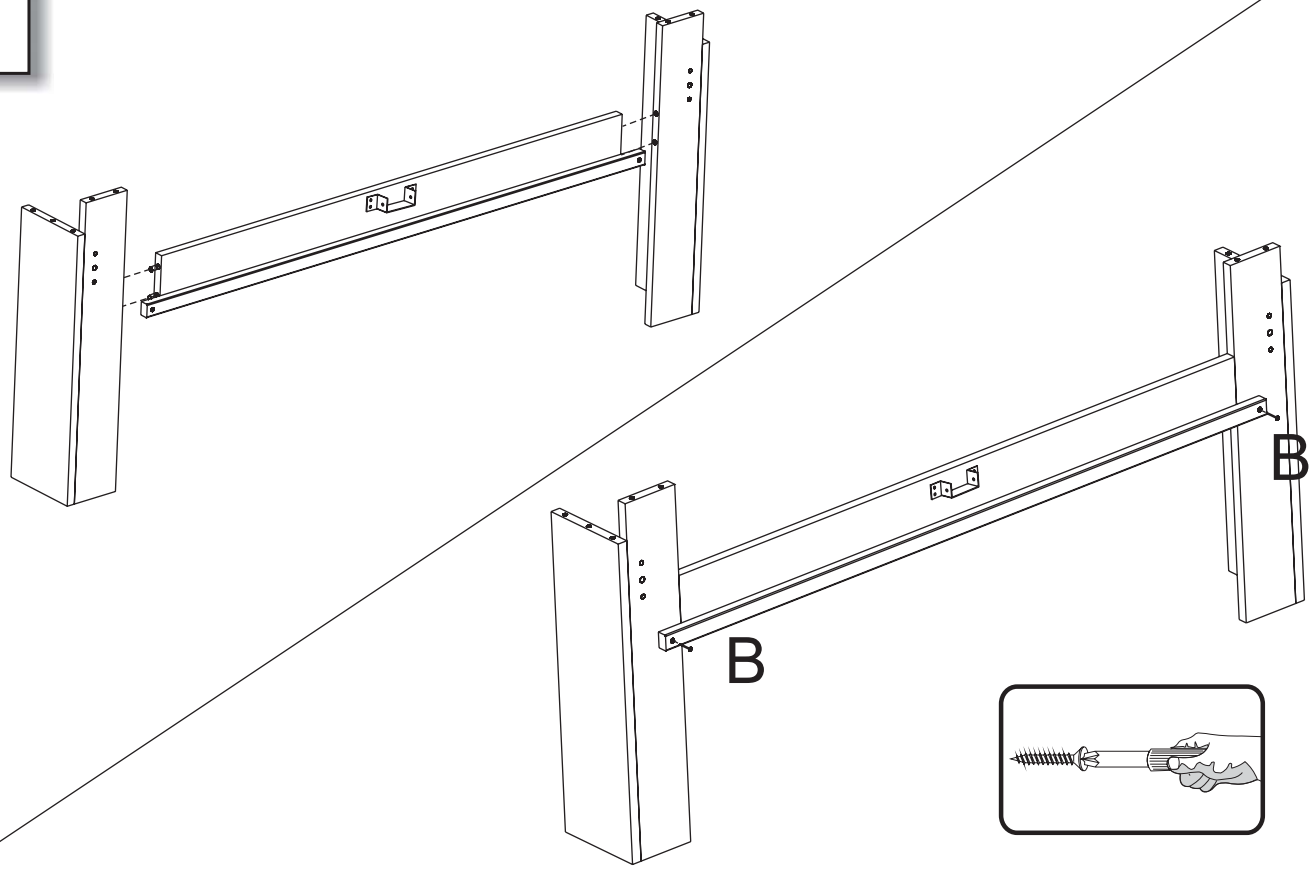
Discovery World Furniture 915 Cornwall Rd, Sanford, FL 32773



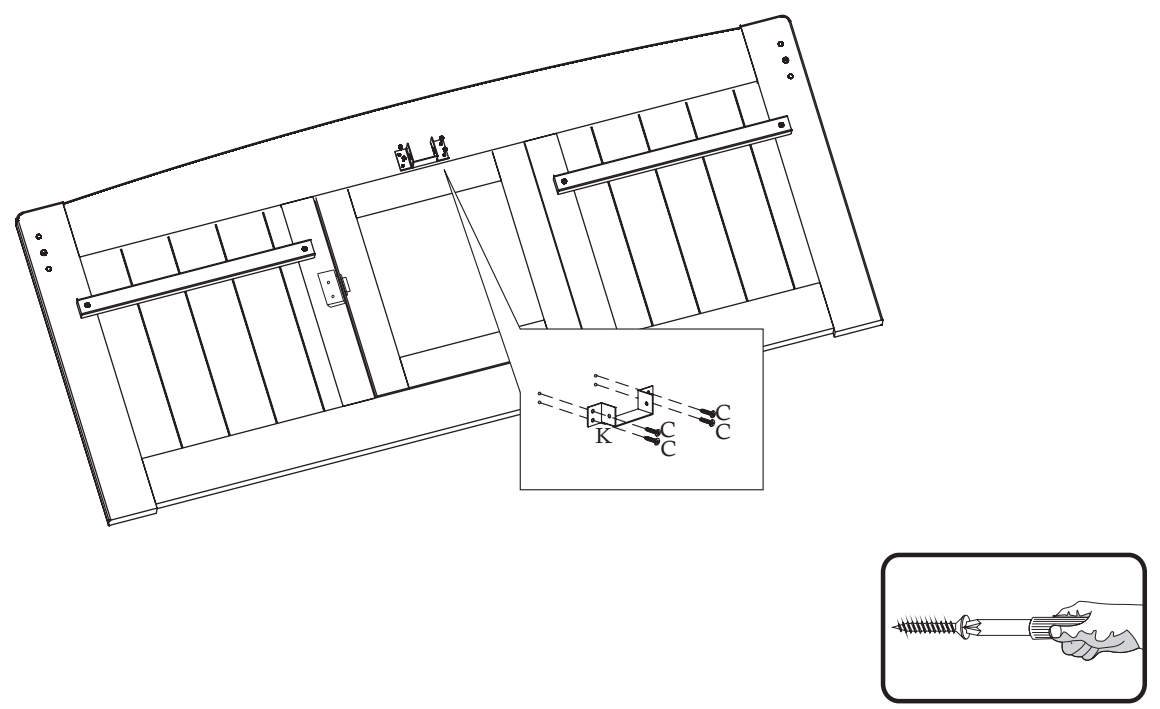
1



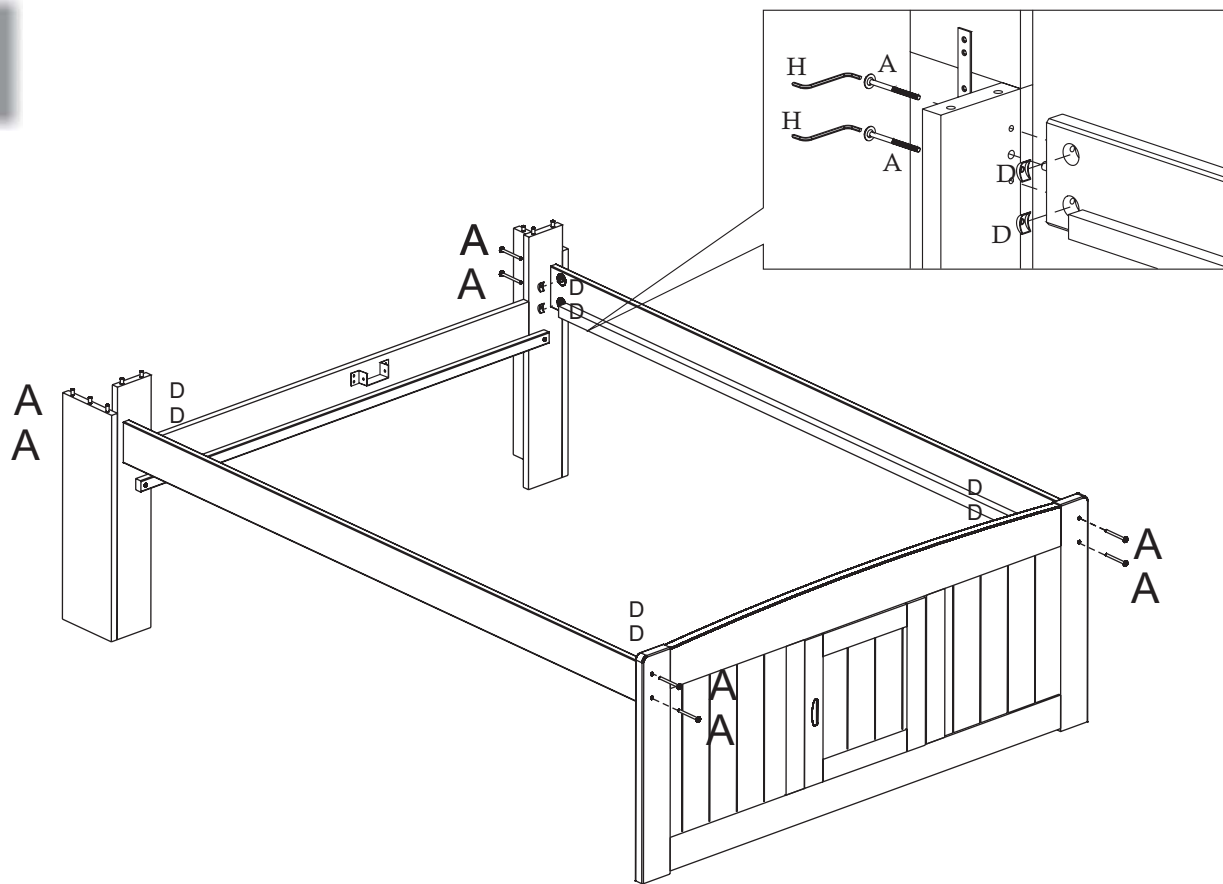
2



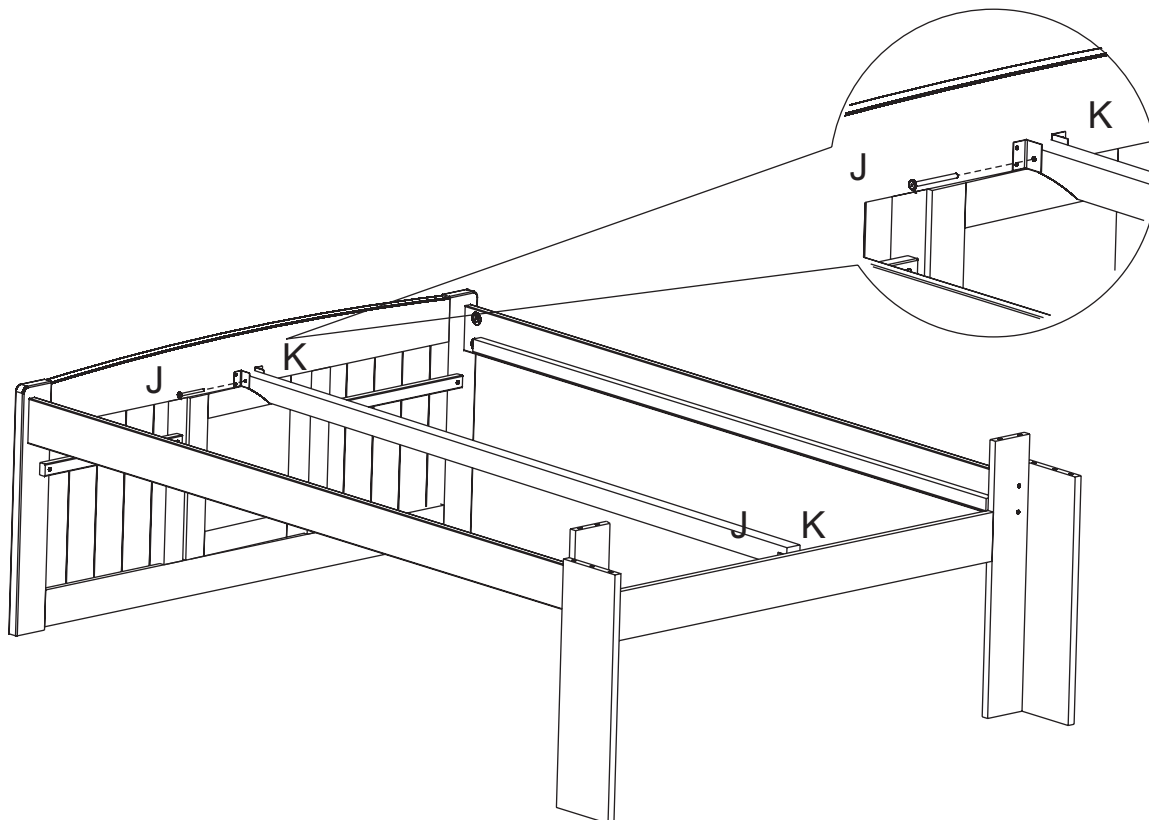
3



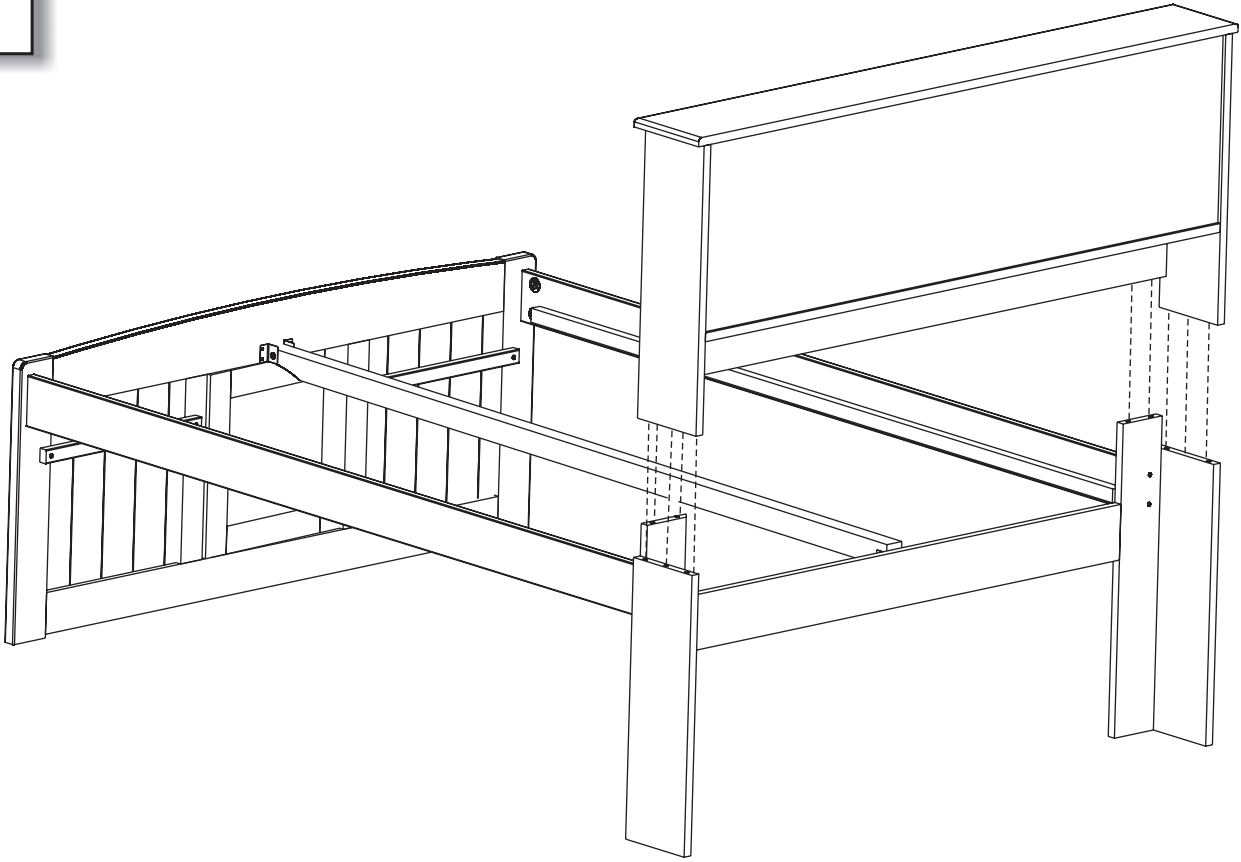
4



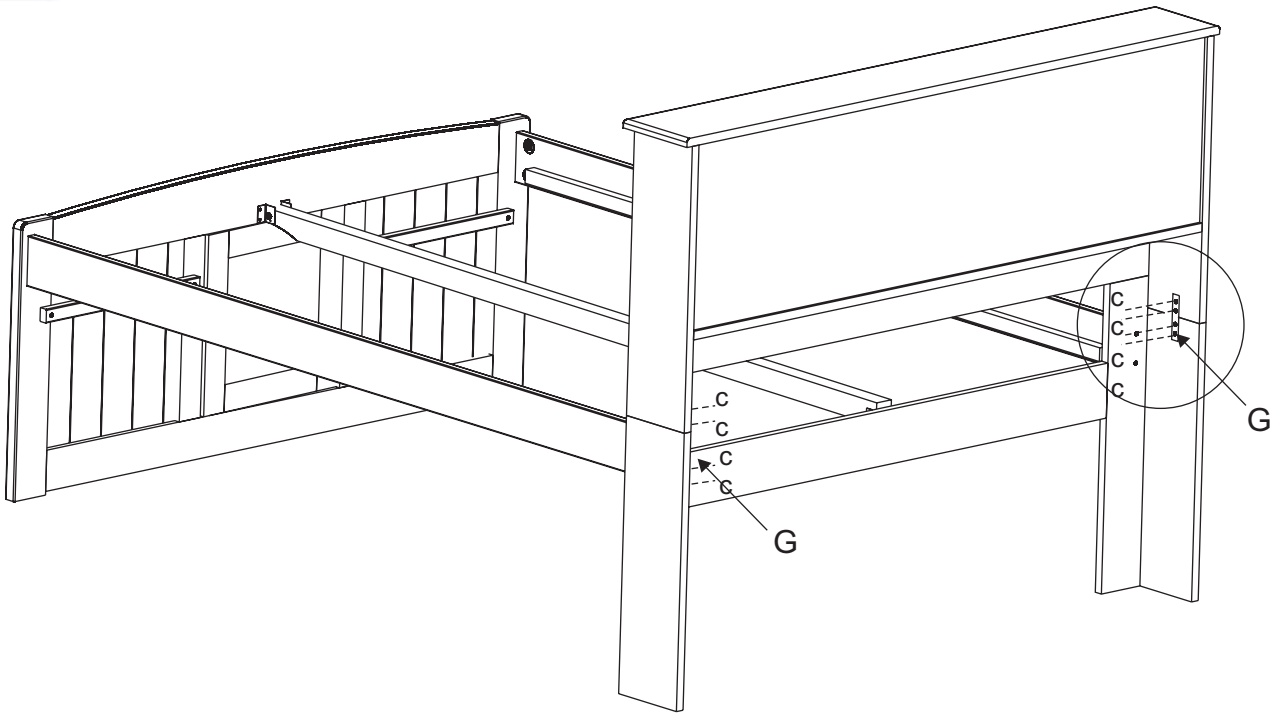
5



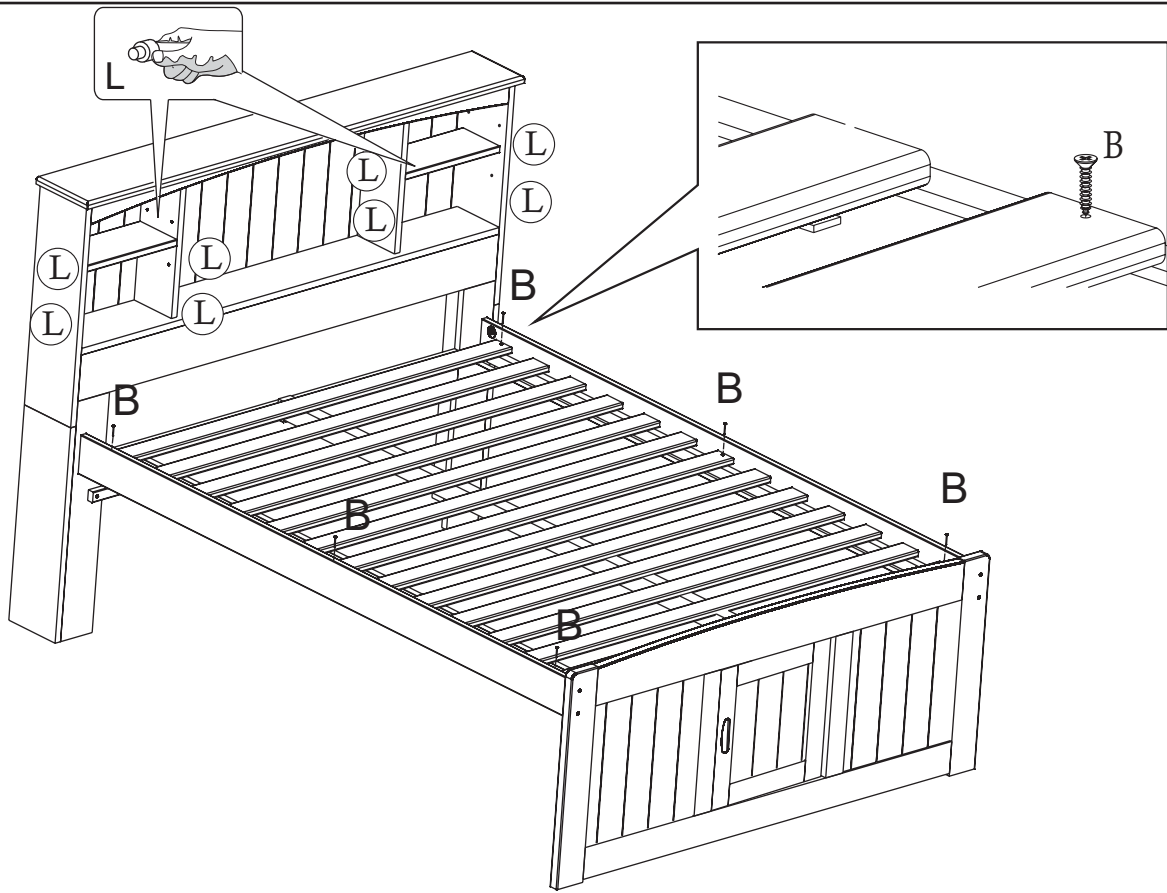
6



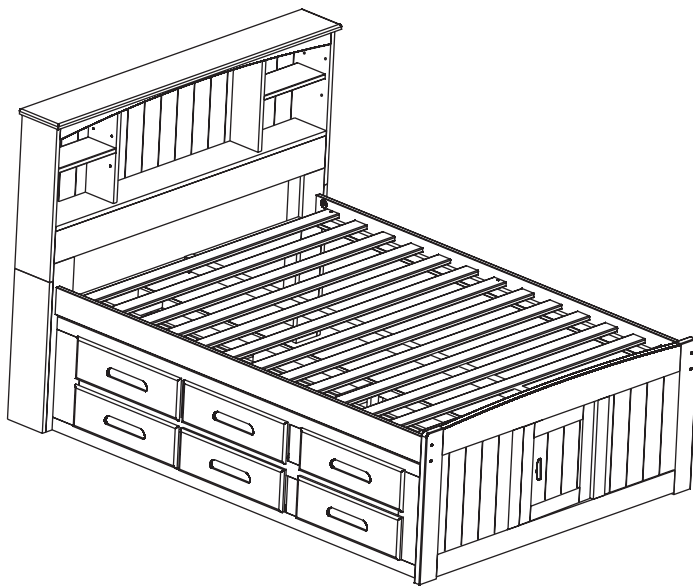
7



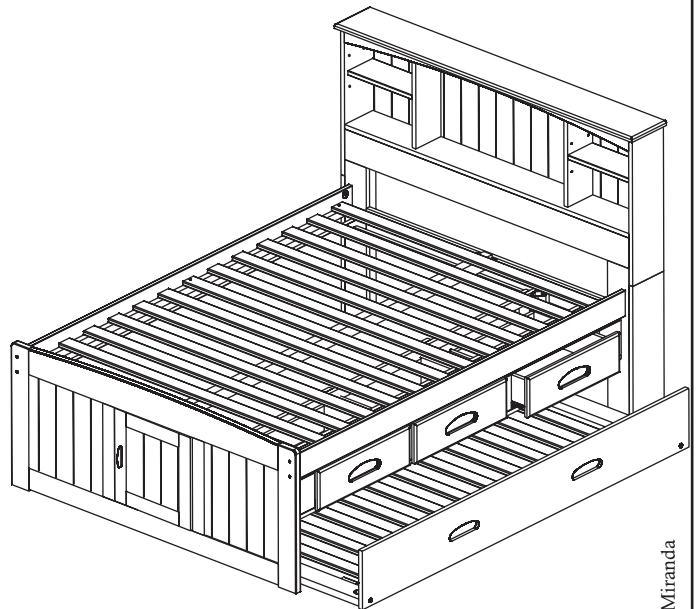
8



9



Shown with optional
6 Drawer unit



Shown with optional
3 Drawer unit/Trundle