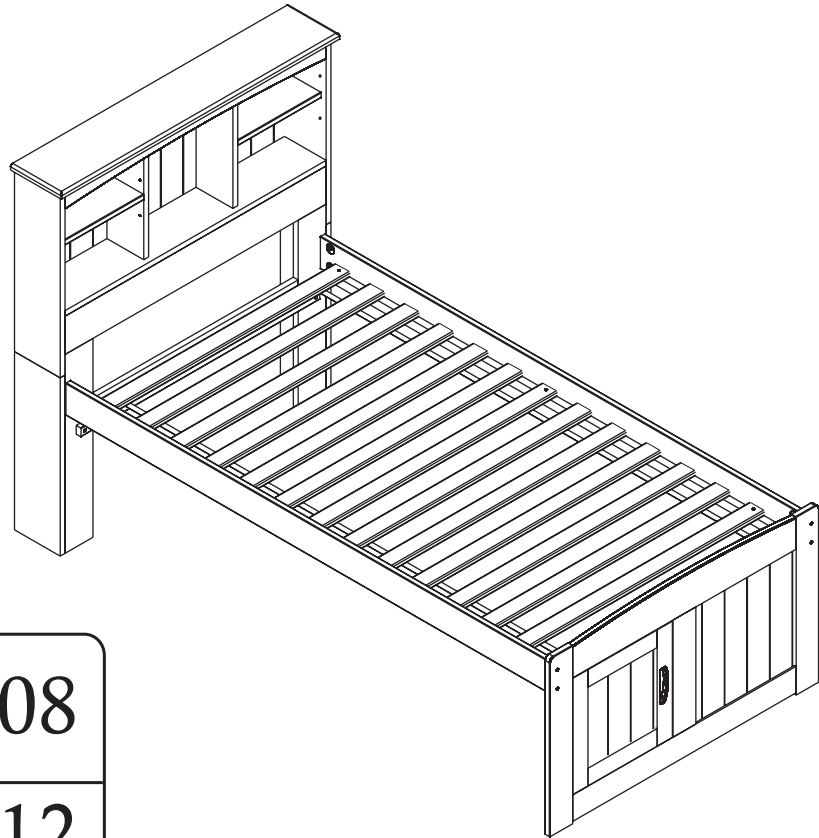
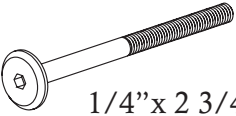
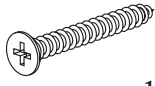
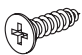

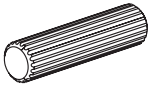
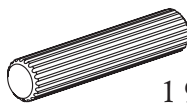
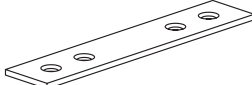
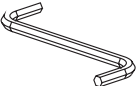
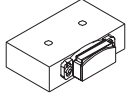





2120-2820 Bookcase Captain's Bed Twin



A	 1/4" x 2 3/4"	08
B	 1 3/16"	12
C	 9/16"	12
D		08
E	 1 9/16"	10
F	 1 9/16"	02
G		02

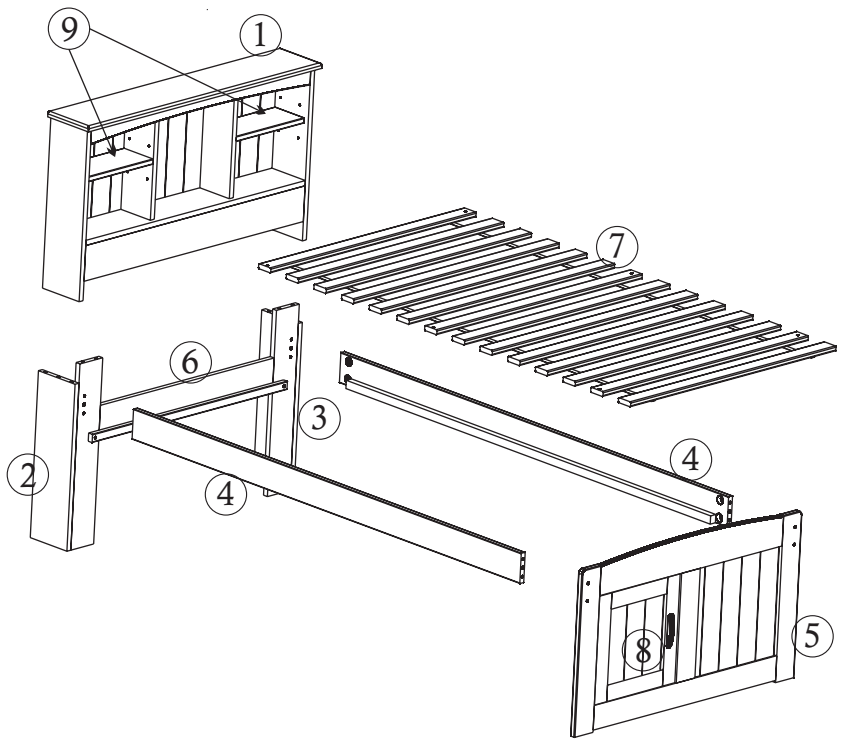
H		01
I		01
J		08

WARRANTY

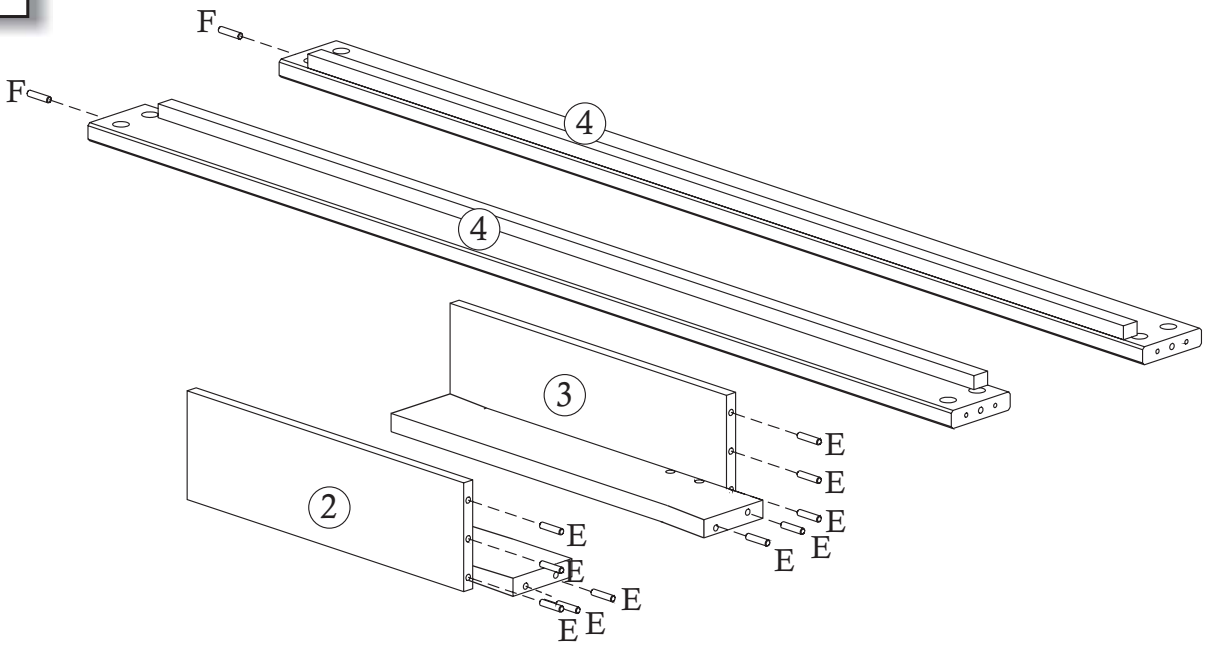
Replacement Parts & Limited Lifetime Warranty

Discovery World Furniture will replace any component part free of charge for 1 full year via UPS freight collect. In addition, Discovery World Furniture will replace any component part for 50% of the then prevailing retail price plus freight for the lifetime of the product. For service, mail your request to:

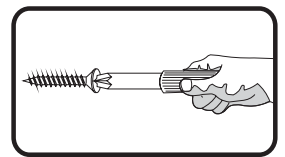
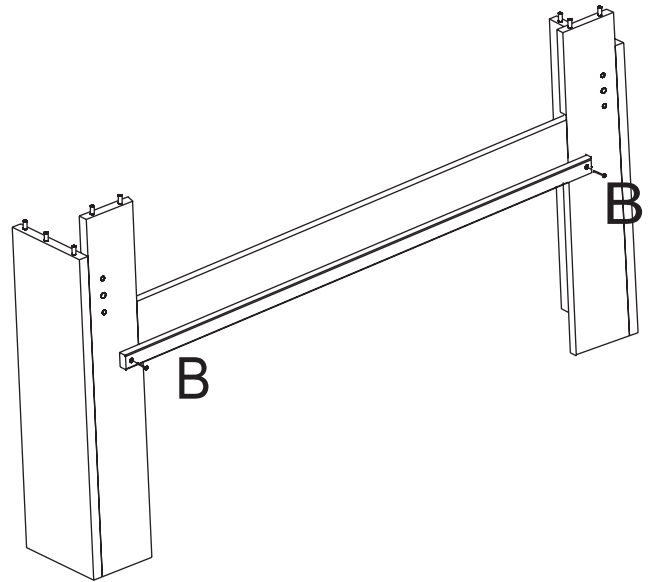
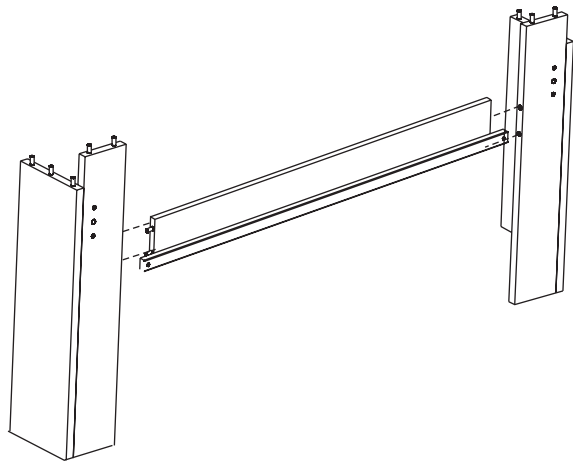
Discovery World Furniture 915 Cornwall Rd, Sanford, FL 32773



1



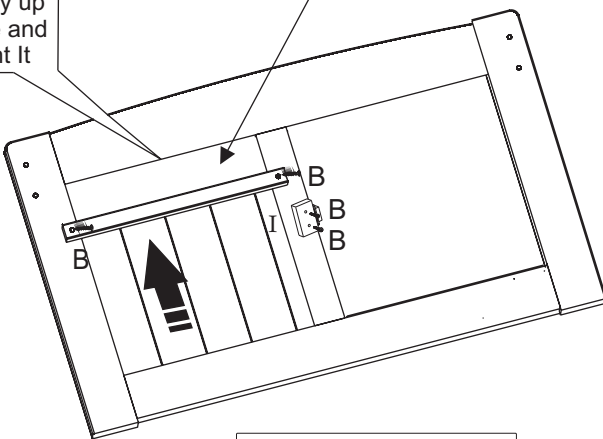
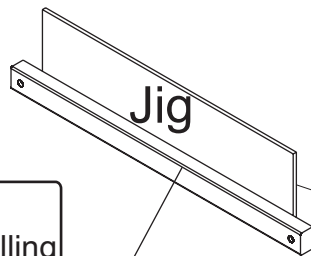
2



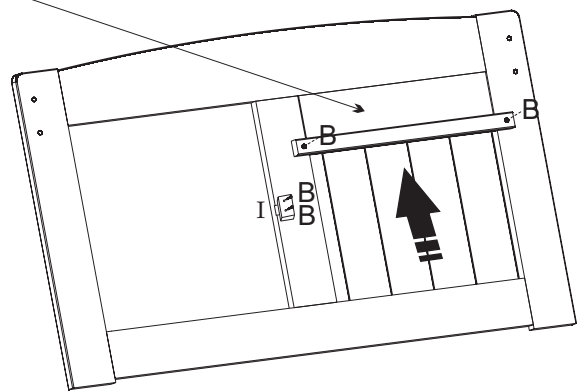
3

IMPORTANT NOTE
Choose side before installing
the elevation kit Jig
(Footboard is reversible)

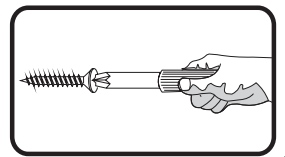
Push Jig all
the way up
to here and
mount it



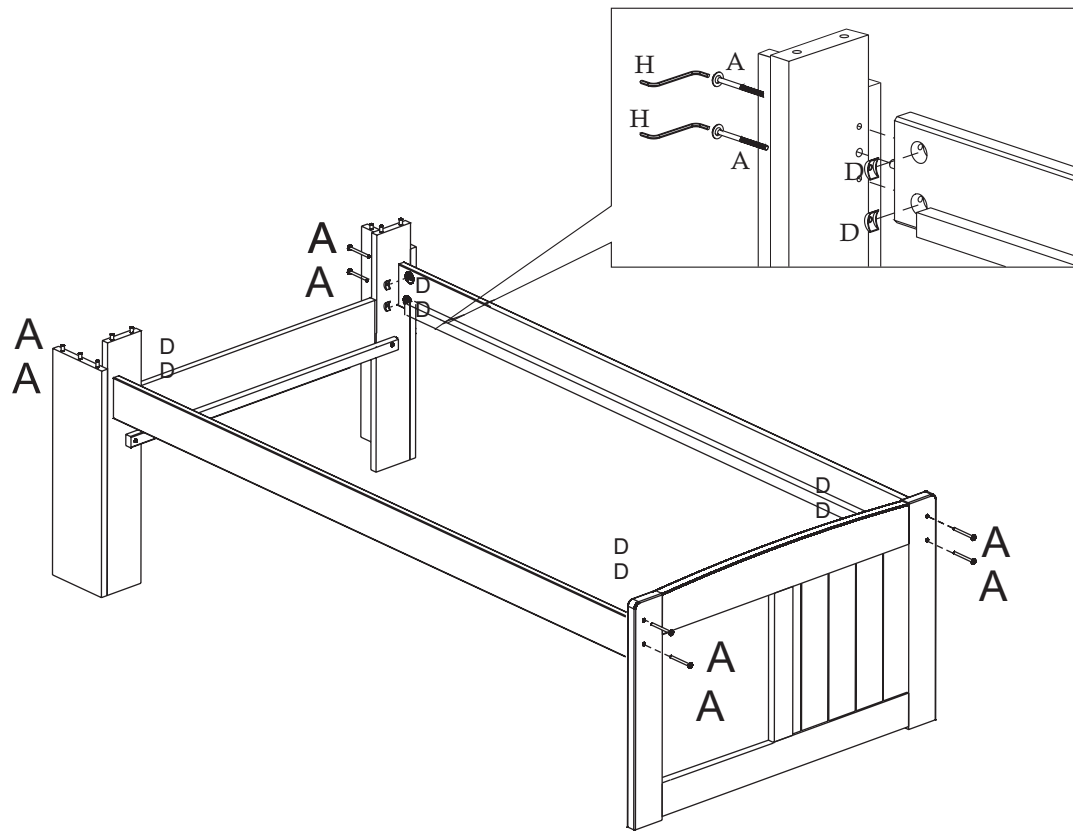
Door on the left



Door on the right

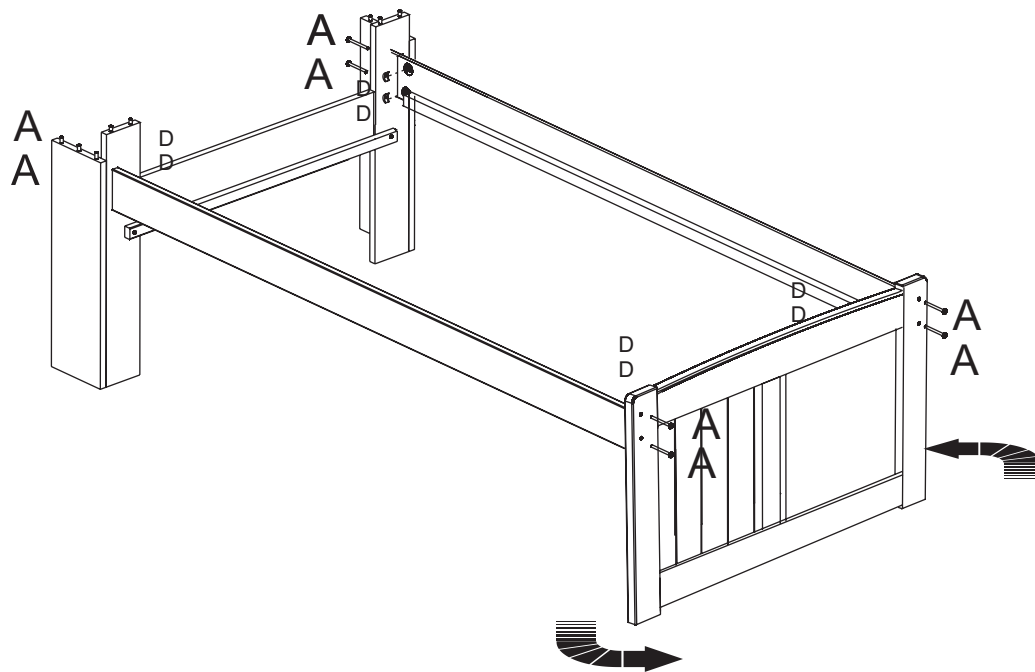


4



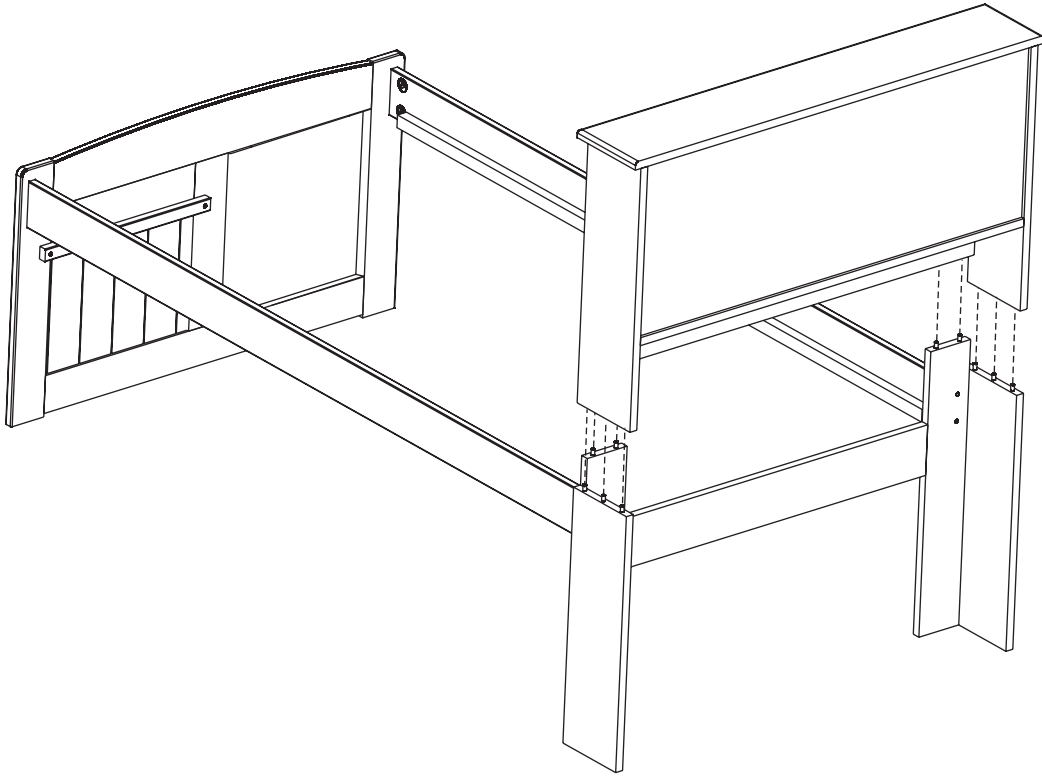
Door on the left side

5

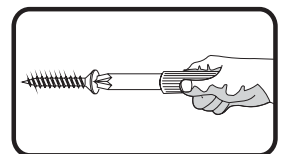
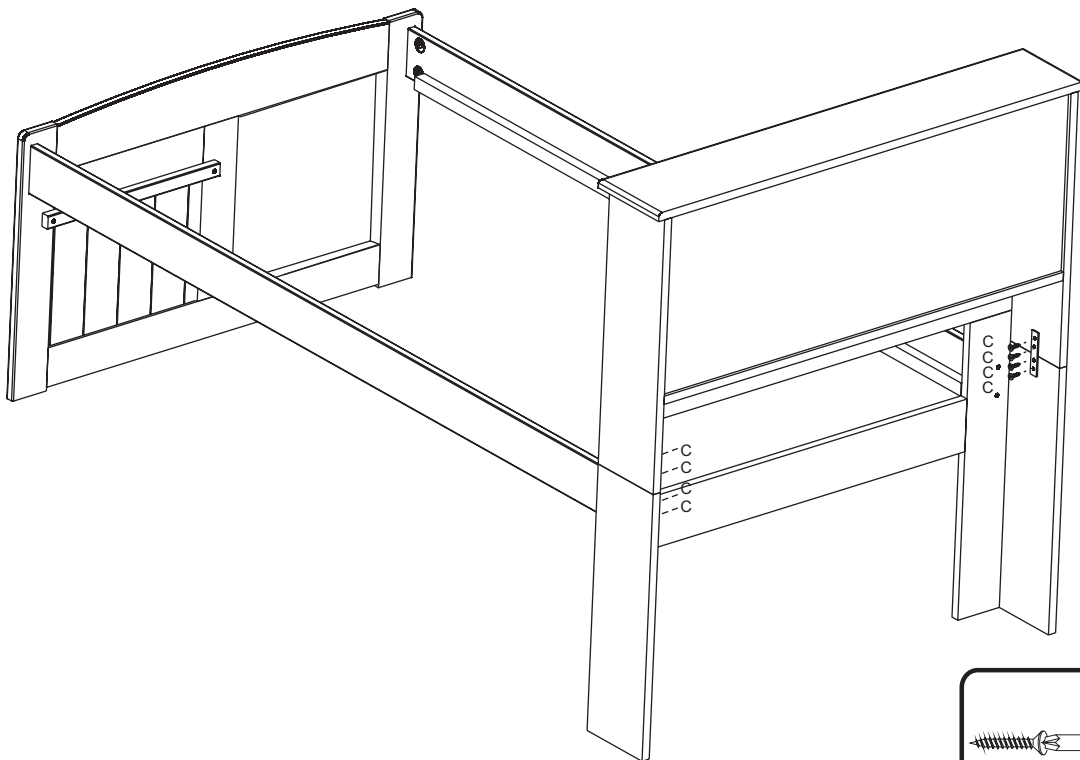


Door on the right side

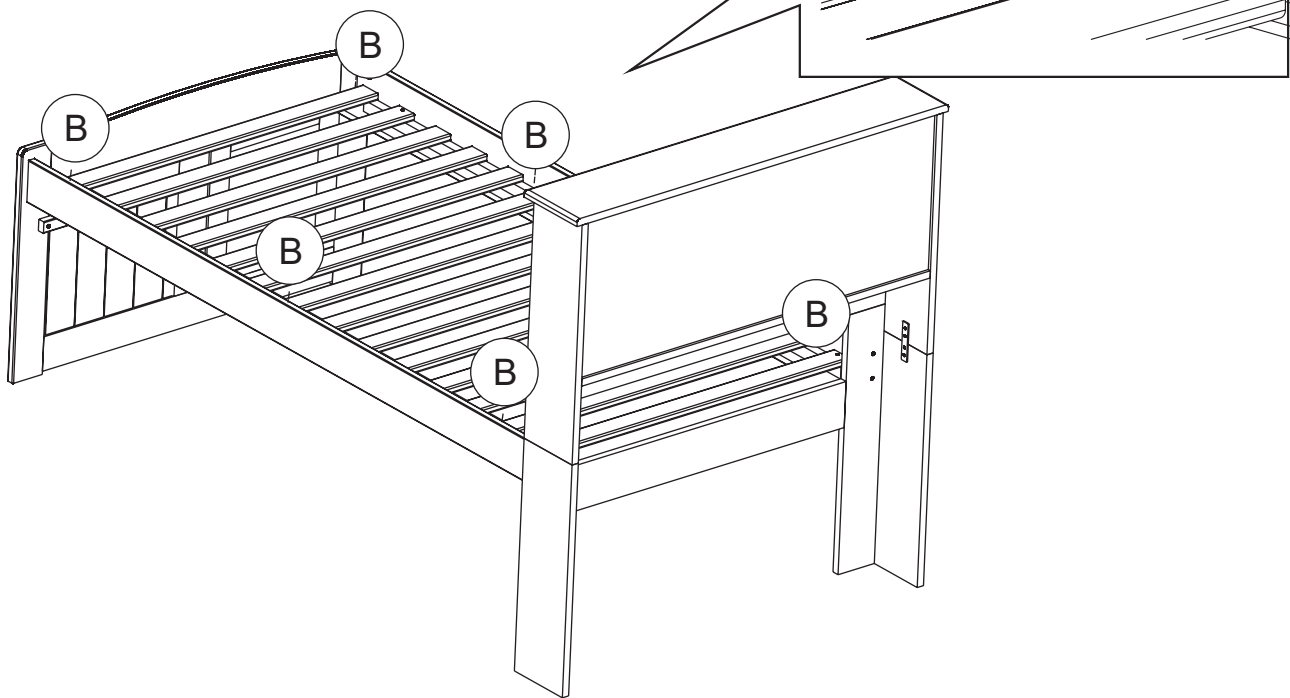
6



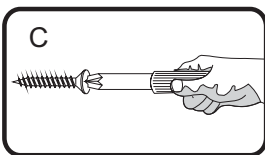
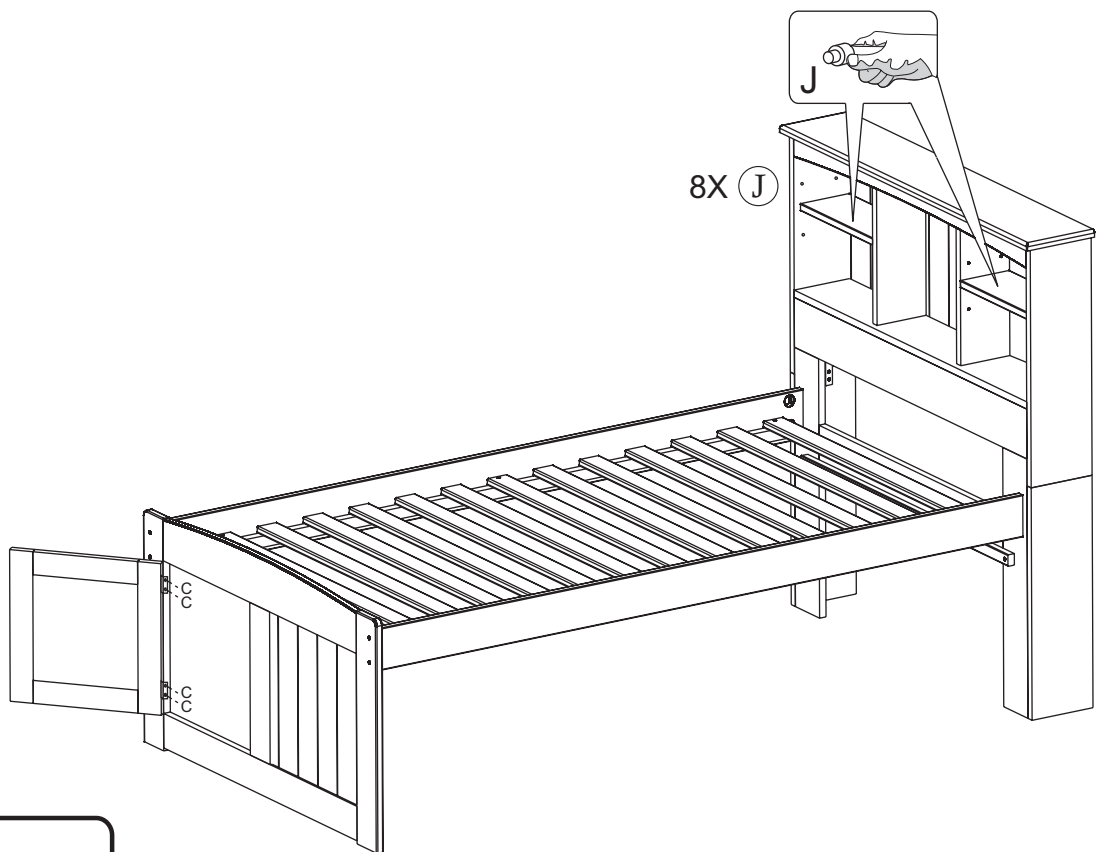
7

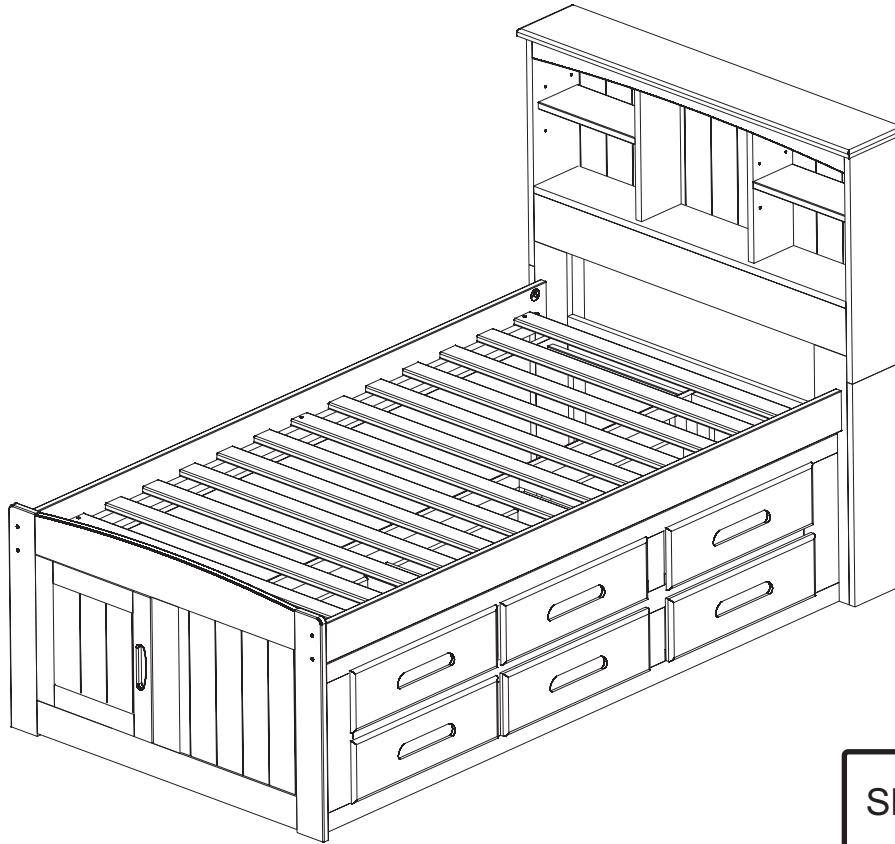


8

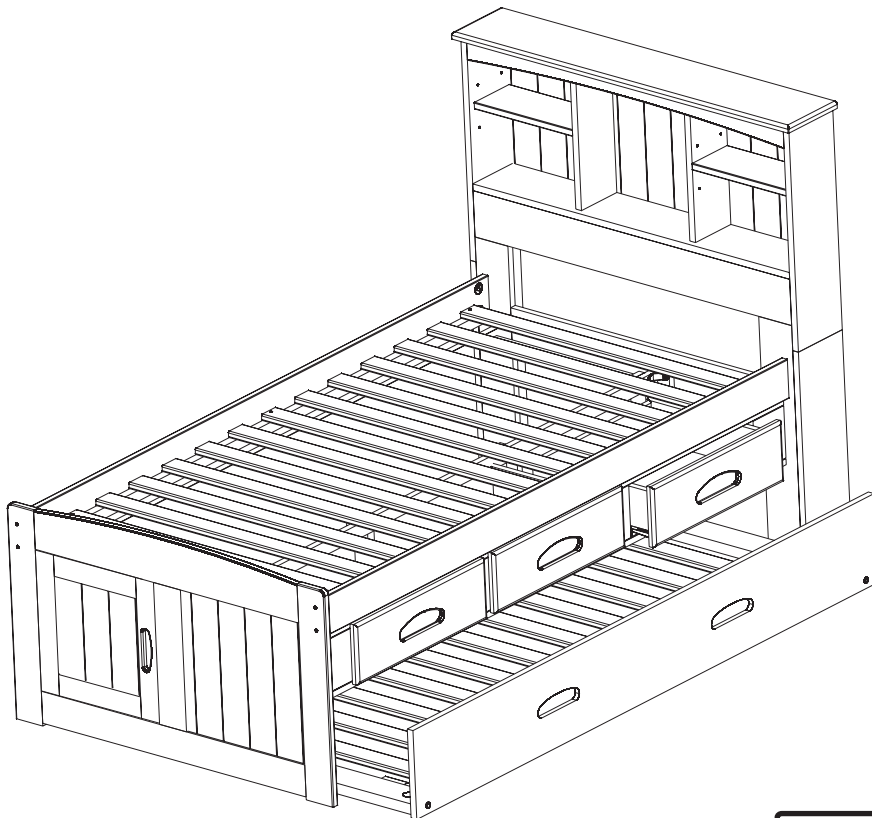


9





Shown with optional
6 Drawer unit



Shown with optional
3 Drawer unit and trundle