

How to fix KD Drawer Units

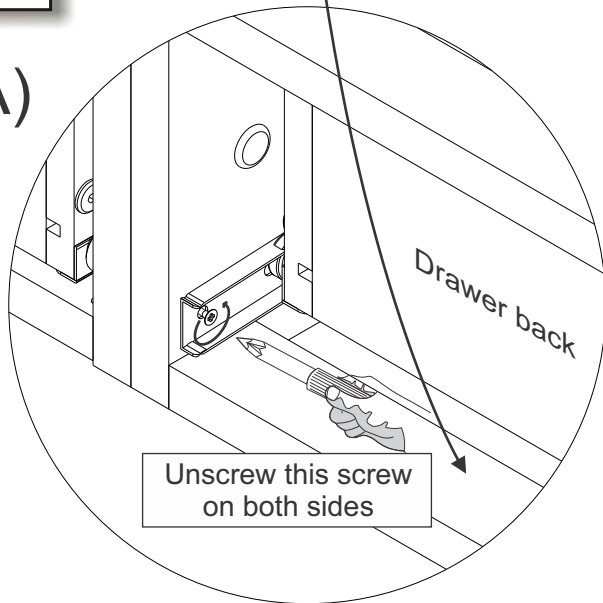
We have found that on occasion the drawer(s) may not open as smoothly as you like. This is most likely caused by one of the below issues and is easily corrected.

- 1)The bottom back of the drawer is rubbing against the drawer frame.
- 2)The screw in the back of the glide was not inserted straight so sticking out and rubbing against the drawer.

Back of drawer rubbing the frame

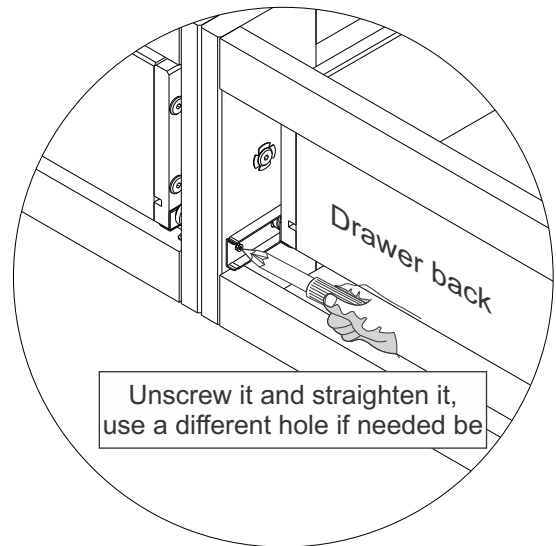
1

(A)

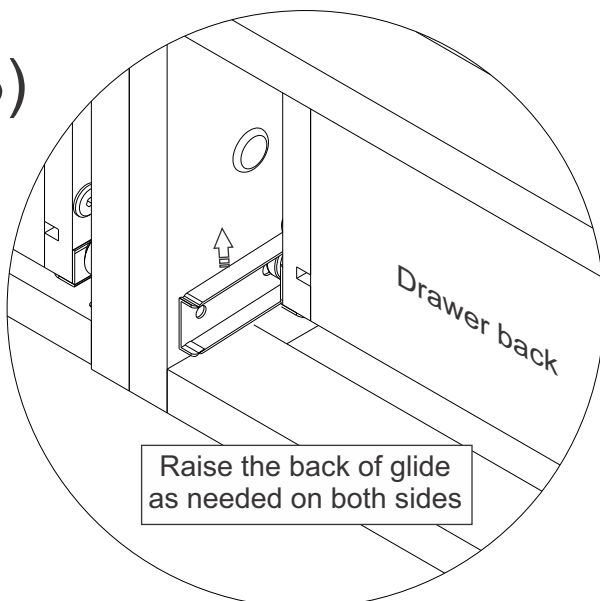


Drawer catching on glide screw.
(screw crooked)

2



(B)



(C)

